

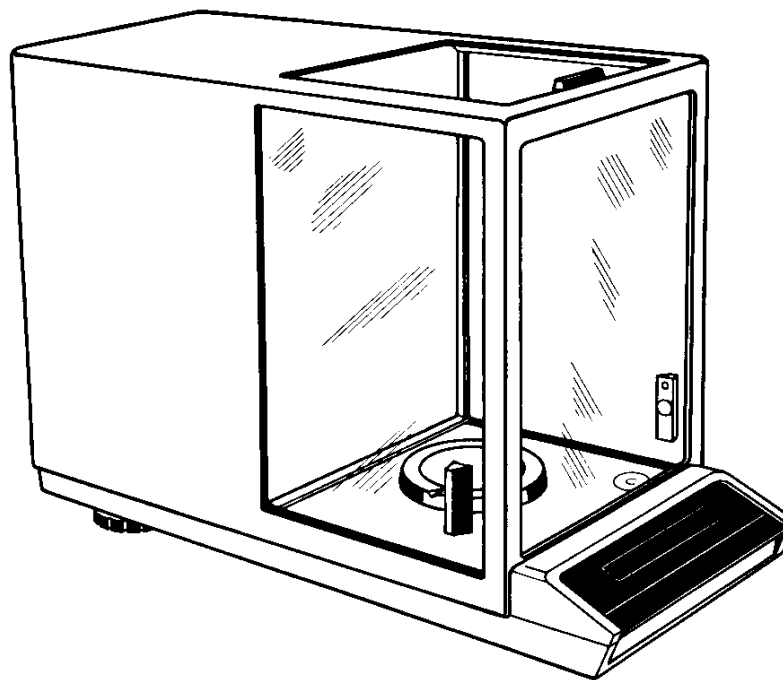
Operating Instructions
Bedienungsanleitung
Mode d'emploi
Instrucciones de manejo

METTLER TOLEDO

METTLER TOLEDO

AE160

AE100



OPERATING INSTRUCTIONS

Page 2

English

BEDIENUNGSANLEITUNG

Seite 16

Deutsch

MODE D'EMPLOI

Page 30

Français

INSTRUCCIONES DE MANEJO

Página 44

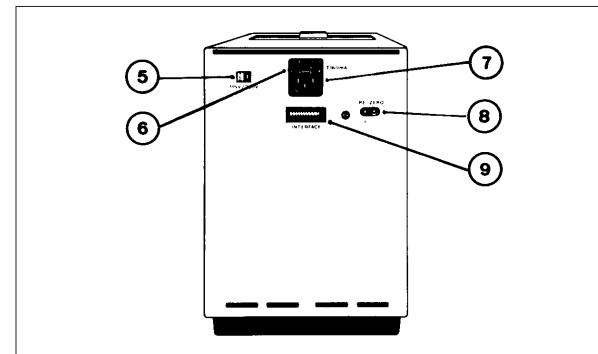
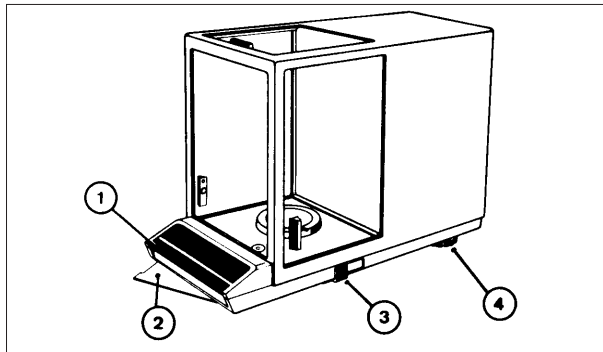
Español

METTLER TOLEDO AE160

Weighing range 0...162 g
Readability 0.1 mg

METTLER TOLEDO AE100

Weighing range 0...109 g
Readability 0.1 mg



Operating elements and connections

- 1 Single control bar
- 2 Brief operating instructions
- 3 Calibration lever
- 4 Leveling screws
- 5 Operating voltage selector switch
- 6 Fuse holder
- 7 Power connector
- 8 Connector for foot pedal/hand switch
- 9 Connector for data interface

TABLE OF CONTENTS

Page

Preparations for setting up the balance

Checking the voltage, setting up the balance

4

Operation

Switching the balance on; taring

5

Single control bar (flow chart)

6

Calibrating

7

Integration time settings and stability detector

8

Weighing-in with DeltaDisplay

9

Additional balance functions

Weighing below the balance; remote control

10

Care and maintenance

10

Accessories

11

What's wrong if ...?

12

Technical specifications

14

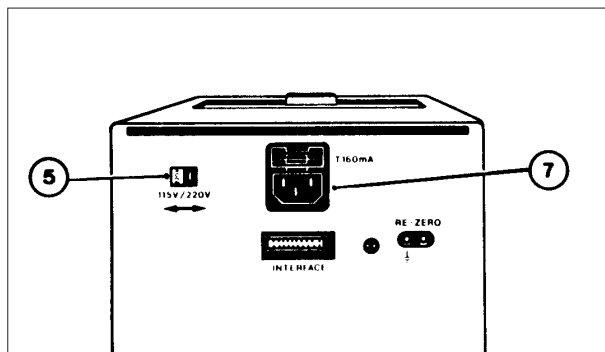
PREPARATIONS: How to check the voltage setting and set up the balance.

Before the balance is set up for the first time, the operating voltage must be set to conform to the line voltage to which the balance will be connected.

Select a suitable location for your balance; this helps increase operating efficiency.

Install the pan on the balance.

Level the balance and check leveling on a regular basis.



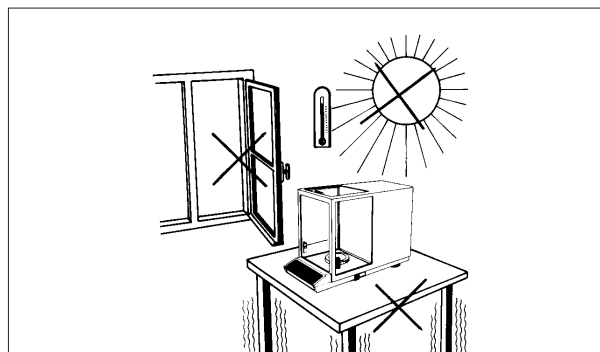
Checking the voltage setting

At the factory, a tag is placed over the power connector (7); the voltage setting is printed on this tag.

If the voltage setting printed on the tag does not agree with the power supply voltage, or if the tag is missing, the setting of the voltage selector switch (5) on the rear wall must be checked, and if needed, changed.

Admissible power supply voltages with switch positions:

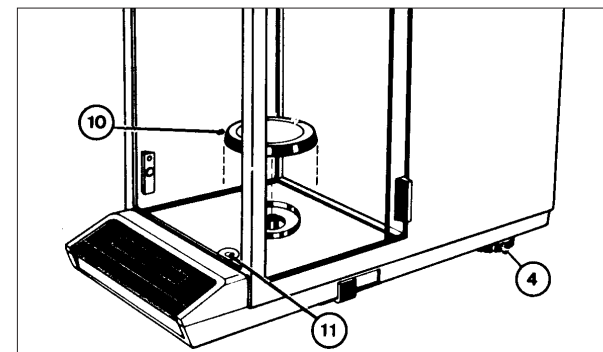
115 V: 92 V...132 V
220 V: 184 V...265 V



Location

- Stable location; as free from vibration as possible.
- Make sure there are no large temperature fluctuations.
- Avoid a location where there is direct sunlight or drafts.
- Once location is selected, connect the power cable.

If no ideal location can be found using the above criteria, the balance can still provide good results. This can be achieved by following the instructions listed under "Integration time setting and stability detector".



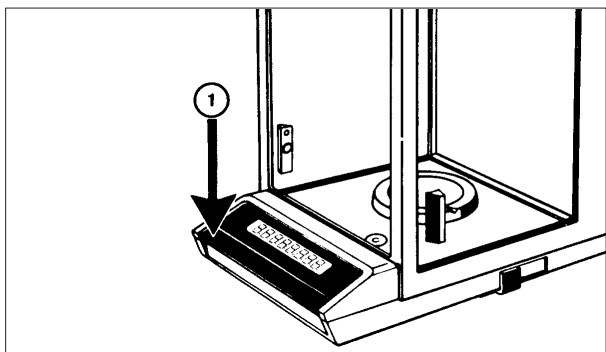
Install pan on balance; level balance

- Install pan (10) on balance; the conical peg is centering it in the middle of the opening on the weighing chamber floor.
- Adjust the two leveling screws (4) so that the bubble in the spirit level (11) is in the middle of the circle.

Any time the balance location is changed, recheck the leveling.

OPERATION: How to switch the balance on, and how to tare

The balance is tared by pressing the single control bar; this bar also turns the display on and off. When switching the balance off by means of the control bar, only the display is turned off. The electronic components are on as long as the power cable is connected (standby). This allows the balance to be operational at all times and eliminates the need for a warm-up time.



Switching the balance on/off

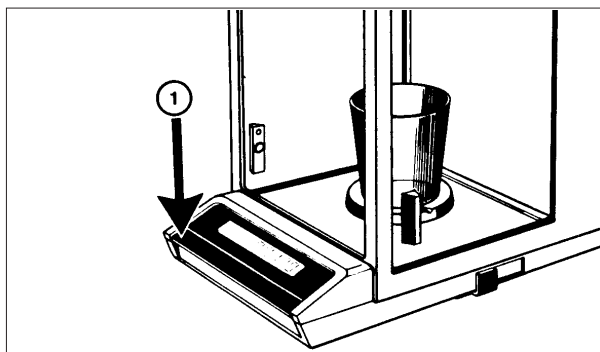
Switching on:

- Briefly press control bar (1).
All display elements light up for several seconds:
88888888
This permits a functional check of the display.
Then, **0.0000** is displayed.

Switching off:

- Briefly lift control bar.

If the balance displays **OFF** the control bar must be pressed again briefly.

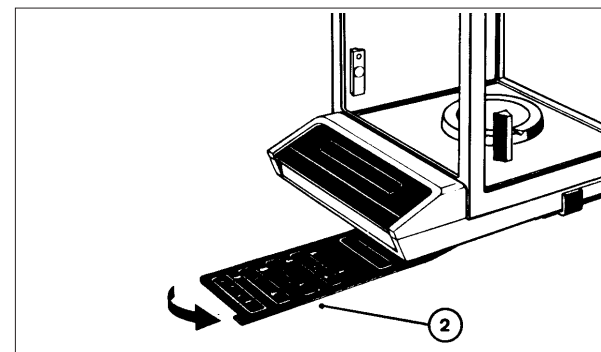


Taring

- Place a container on the pan. Weight is displayed.
- Briefly press control bar (1).
Display is blanked out, then **0.0000** appears.

The container weight is now tared out.

The weighing range is now available for weighing-in, minus the tared-out container weight.



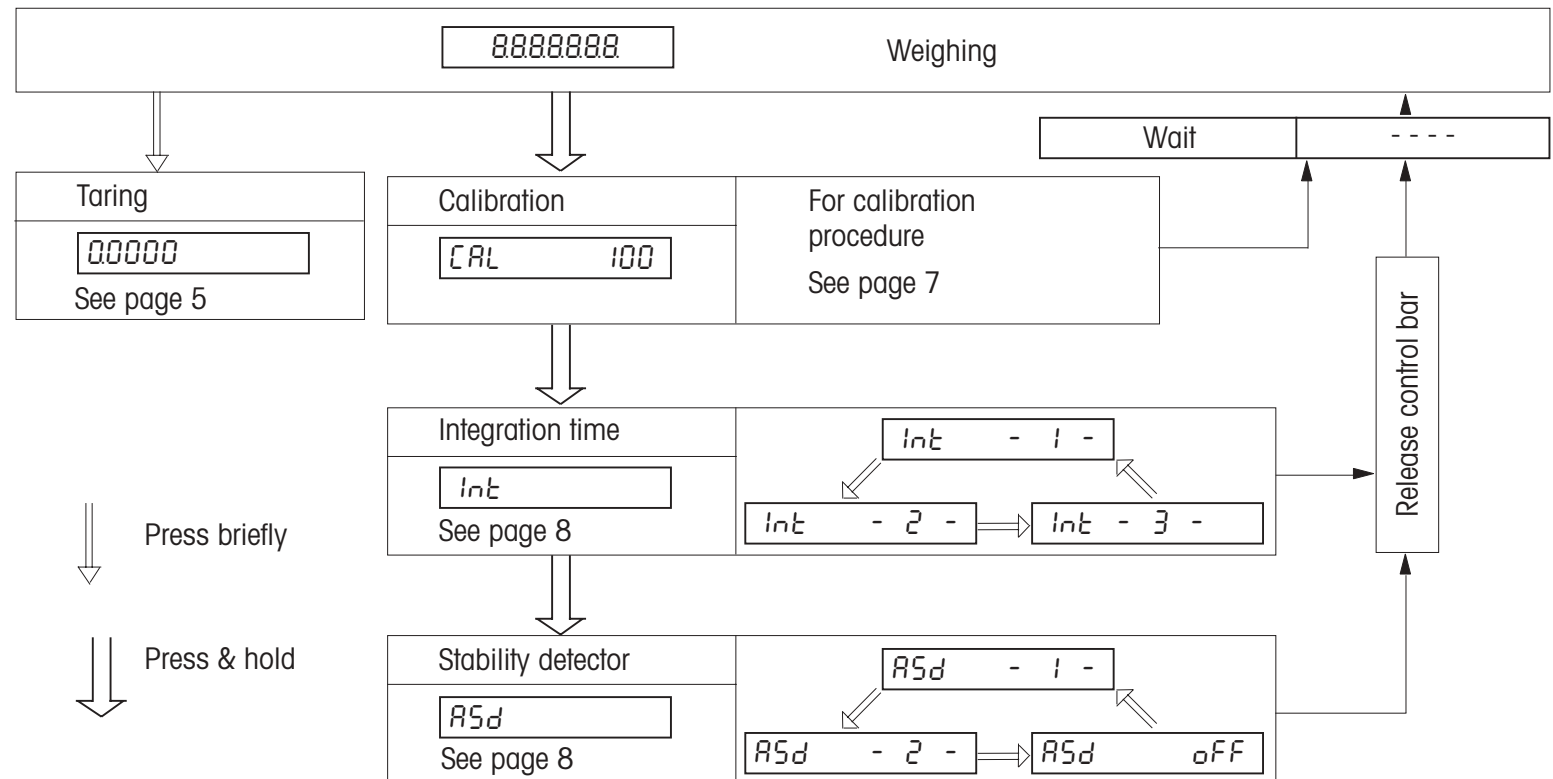
Brief Operating Instructions

Located beneath the balance is a swing-out card (2) on which an abbreviated form of the Operating Instructions are printed.

A detailed procedure (configuration cycle) is illustrated on the next page.

OPERATION: How the single control bar operates.

Your balance is equipped with only one operating bar. This control bar permits the display to be switched on/off, the balance to be configured and weight to be tared. In order to have the balance operate under the most ideal conditions, it must be configured accordingly. The configuration cycle is started by pressing and holding the control bar. The individual configuration modes appear in the display in abbreviated form. After releasing the control bar and then briefly pressing it again, a selection can be made between different steps. (exception: calibrating)

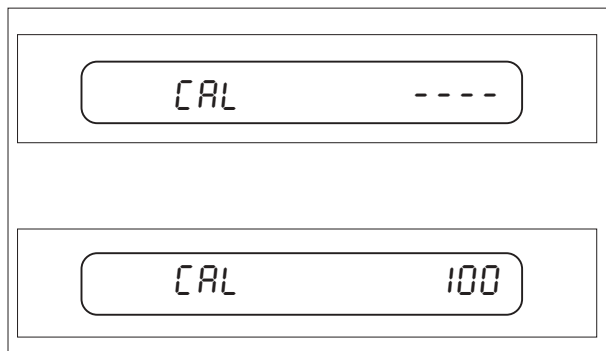


OPERATION: How to calibrate the balance.

Before working with the balance for the first time, it must be calibrated.
Calibration means setting the balance to the correct weight display.

The balance is equipped with a built-in calibration weight (for specifications, see "Technical specifications").

NOTE: to achieve stable results, it is recommended that the balance be left connected to the power supply for 60 minutes prior to calibrating.

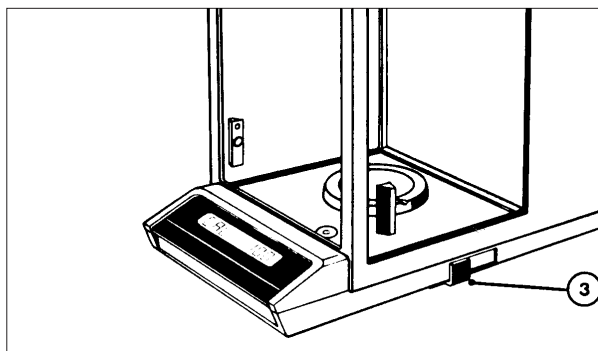


Preparations for calibrating the balance

- Remove all objects from the pan.
- Close the sliding windows.

Set the balance to the calibration mode:

- Press control bar (1) until "CAL" is displayed.
- Release control bar.
"CAL ----", will appear in the display.



Calibrating the balance

The calibration weight is placed in position by means of the calibration lever (3).

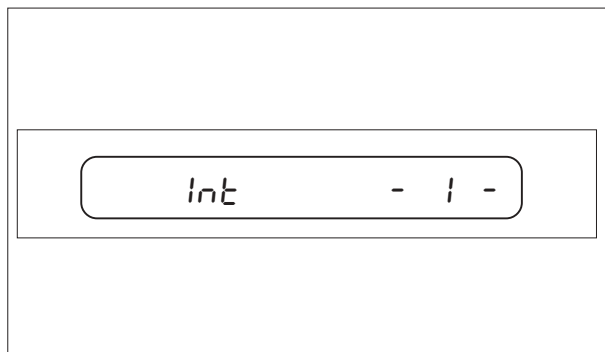
As soon as "CAL 100" appears (the 100 blinks), slowly move the calibration lever towards the rear. First, "CAL ----" appears, then "100.0000". When the display "CAL 0" appears (0 blinks), move lever back to original position. Wait: display "----" followed by "0.0000" appears.

OPERATION: How to set the integration time and the stability detector.

The AE balances are capable of providing excellent results in spite of unfavorable weighing conditions. The stability detector (ASd: automatic stability detection) provides an added measure of reliability to the results.

Setting criteria:	Standard setting	Increased weighing cycle speed	Increased weighing accuracy
	Int : Step 2	Int : Step 1	Int : Step 3
	ASd : Step 2	ASd : Step 2	ASd : Step 1

If the integration time setting or stability detector setting is changed, any previously displayed weighing result will remain unchanged.



Integration time (Int)

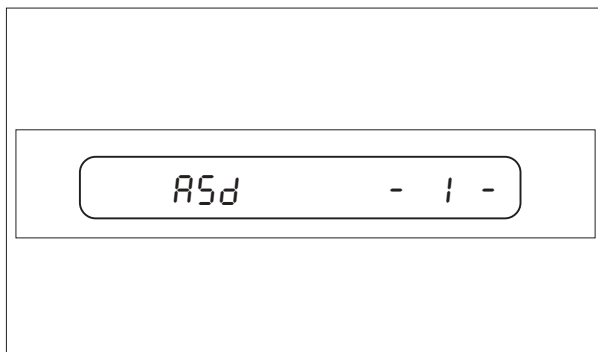
- Press single control bar (1) until balance displays "Int".
- Choice can be made between Steps 1, 2 and 3 by briefly pressing the control bar.

Step 1: shortest time

Once the desired step has been selected, wait until the balance is again in the weighing mode.

If the standard setting is too slow, select Step 1.

If the display is too unstable, select Step 3.

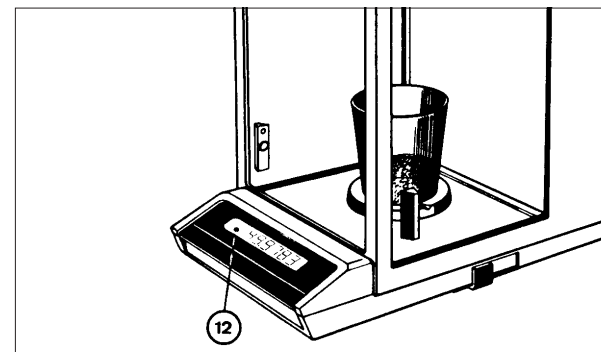


Stability detector (ASd)

- Press single control bar (1) until the balance displays "ASd".
- Choice can be made between Steps 1, 2 or OFF by briefly pressing the single control bar.

Step 1: greatest sensitivity

If use of the stability detector is not wished, it can be turned off ("OFF" position), whereby DeltaDisplay is also switched off.



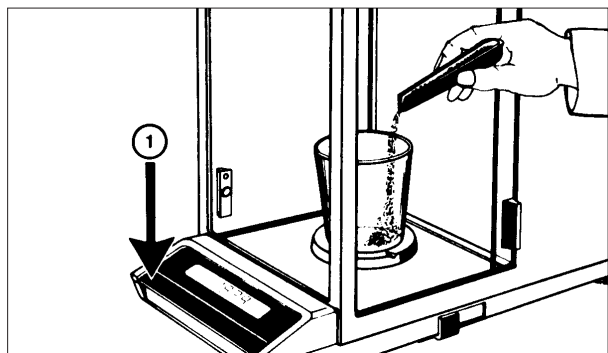
The green pilot light (12) in the left of the display goes off when the balance has achieved stability.

When the pilot lamp is on, the data interface is blocked.

The result should always be read only after the pilot lamp goes out.

OPERATION: How to weigh-in using DeltaDisplay

The AE balances are equipped with DeltaDisplay; this is a display mode which can be switched on and off, and which is especially suitable for weighing-in. When weighing-in, the increasing weight is displayed almost without delay by rapidly changing numbers. In addition, when there are fast weight changes, the last two digits are blanked out to enable you to follow the increasing weight. The stability detector is switched on together with the DeltaDisplay. This permits only stable weight results to be released to the data interface.

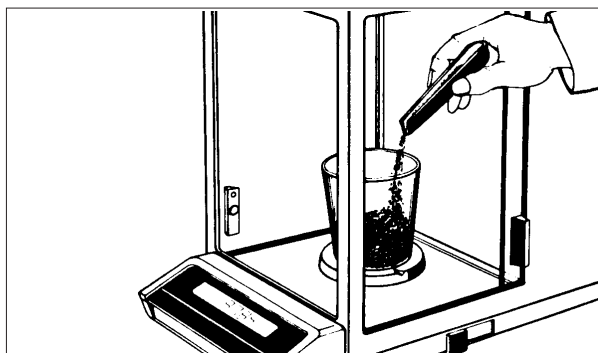


Weighing-in

- Place container on the weighing pan.
- Press control bar (1) to tare: zero display appears.
- Weigh-in up to desired target weight.

If different components must be weighed in, one after the other, tare can be pressed after each component is weighed in, and the next component can be weighed in from zero until the container and all components equal the capacity of the weighing range.

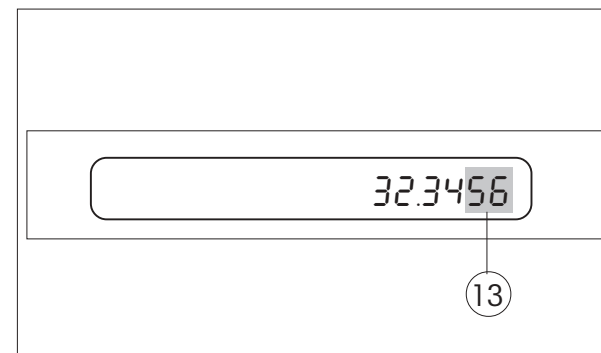
If the weighing range is exceeded, the upper portions of all digits appear: “- - - - -”.



DeltaDisplay

As the component is being filled in quickly, the DeltaDisplay automatically switches in: the last two decimal places (13) are blanked out and the display change is speeded up. This allows the weight increase to be followed better.

DeltaDisplay is switched off when the stability detector (ASd) is configured “OFF”.



When filling in is slowed down to approach the target weight, the last two digits automatically reappear. The display change continues to be speeded up.

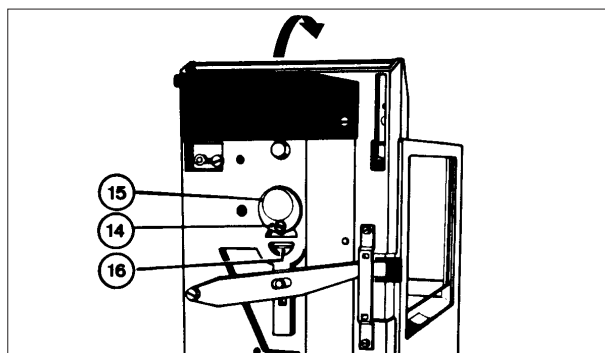
Only when very small weight changes are made, does the balance switch back to the normal display rate.

In this way, a stable weighing result is displayed with full accuracy.

ADDITIONAL BALANCE FUNCTIONS: Below the balance weighing and remote control.

By using a special holder, it is possible to carry out weighings below the weighing chamber through the GD hole.

The holder is not available from METTLER TOLEDO and must be specially made by the customer.



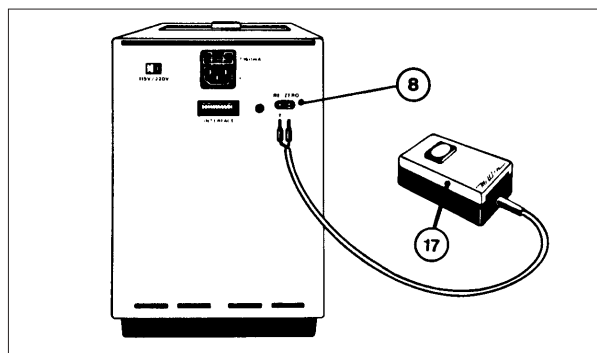
GD hanger

- Open all sliding windows.
- Remove weighing pan.
- Place balance on its back.
- Loosen screw (14) on the bottom of the balance.
- Swing out cover (15).
- Retighten screw (14).

In the opening is a hook (16). A hanger is placed on this hook, and the object to be weighed is placed on the hanger.

- Set balance back on its feet, place pan back on and level balance.
- With the hanger attached, press tare.

The weighing pan does not have to be put back on as long as the holder is at least as heavy as the weighing pan.



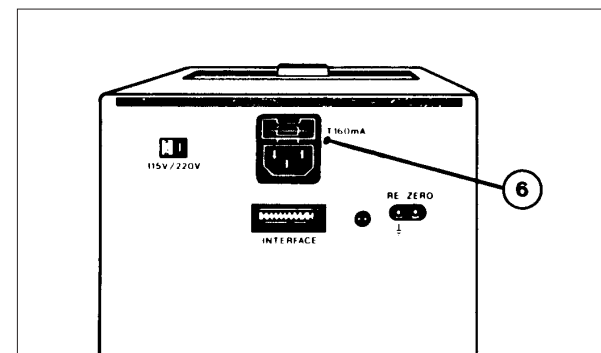
Remote control

Taring can be done by using an external hand key or foot pedal (see Accessories).

- Connect hand key or foot pedal (17) to the sockets (8) on the rear of the balance.

CARE AND MAINTENANCE

The balance requires very little care and maintenance. A cloth and some soapy water are sufficient for cleaning the weighing pan and balance housing. Do not use any strong solvents. Use the small brush (see Accessories) to remove any foreign material from the weighing chamber. Do not blow air into the chamber under any circumstances!

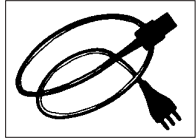


Replacing the microfuse

- Disconnect power cable.
- Remove cap (6) with a screwdriver.
- Replace defective fuse (replacement fuse is located in holder).
- Put a new replacement fuse in the holder.
- Place fuse holder back in balance and lightly press in.
- Reconnect power cable.

ACCESSORIES

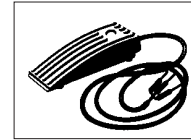
Standard equipment:



Power cable neutral
Switzerland
Germany
USA

Order No.

87576
87920
87925
88668

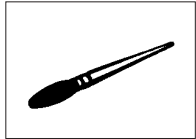


Foot pedal

Order No.

46278

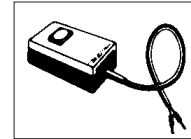
Optional equipment:



Hair brush

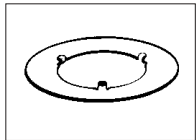
Order No.

70114



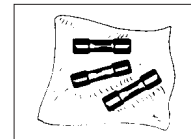
Hand key

42500



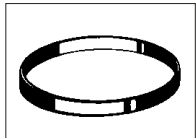
Centering disk
(for draft shield)

38609



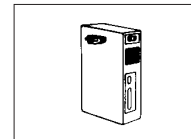
Microfuses:
(set of 3) 160 mA

55144



Draft shield (can be stacked)
1 section

38594

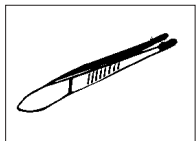


Data Interfaces
Option 011
(CL/RS232, unidirectional)
Option 012
(CL/RS232, bidirectional)
Option 013
(IEEE 488)

38750

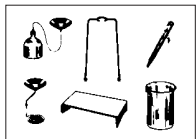
38751

38752



Tweezers, 210 mm long
(with plastic tips)

70209



Density determination kit

40290

WHAT'S WRONG IF ...

... the entire display does not light up?

... OFF lights up in the display?

... only the upper portions of the display segments light up?

... only the lower portions of the display segments light up?

– the weighing result is unstable?

... the weighing result is obviously incorrect?

THEN ...

- the balance is not switched on
- the power cable is not plugged in
- no power reaching instrument
- a momentary disturbance has occurred (switch balance off and on again or disconnect power cable and plug back in)
- the operating voltage selector has been set incorrectly (correct by following instructions under "Checking the voltage; setting up the balance")
- the microfuse is defective (replace according to instructions under "CARE AND MAINTENANCE"); if fuse blows again, contact METTLER TOLEDO Service.

- the power cable has been disconnected and plugged back in or power was temporarily interrupted (briefly press control bar).

- the weighing range was exceeded
- the calibration weight has been activated (move lever forwards)
- an object was on the weighing pan when the balance was switched on (remove object, switch balance off/on).

- weighing pan is missing (underload)
- an object was on the weighing pan when the balance was switched on (remove object, switch balance off/on).

- too much draft (sliding windows closed?)
- balance location is unstable
- integration time has been set too short
- body heat from hand in weighing chamber
- object to be weighed is not at room temperature.

- tare has not been pressed
- balance not calibrated or calibrated with an incorrect external weight
- operating voltage switch incorrectly set or line voltage has dropped.

WHAT'S WRONG IF ...

- ... only a portion of the display lights up?
- ... the display is locked on one value or nonsense symbols are being displayed?
- ... the middle display sections blinks?
- ... the middle display sections will not stop blinking?
(longer than approx. 30 sec.)
- ... the green pilot lamp for the stability detector does not go out?
- ... only horizontal lines light up in the display during calibration procedure?
- ... CAL 100 blinks?
- ... CAL 0 blinks?
- ... CAL Err appears in the display?
- ... no CAL appears in the display?

THEN ...

- a momentary disturbance has occurred (switch balance off and on again or disconnect power cable and plug back in)
- DeltaDisplay is on.
- operating voltage switch incorrectly set
- line voltage has dropped.
- the balance is in the configuration cycle (wait until 0.0000 appears).
- the weighing location or the load is too unstable (close sliding windows, set longer integration time and/or switch off stability detector).
- the stability detector has been set too sensitively (see instructions under "Integration time and stability detector")
- balance location is unfavorable (drafts, vibrations).
- the weighing location is too unstable (draft; close windows).
- the calibration lever has not been moved towards the rear, or an external calibration weight has not been placed on the pan.
- the calibration lever has not been moved back to original position, or an external calibration weight is still on pan.
- an object was on the weighing pan before beginning calibration procedure, or an incorrect external calibration weight was used (return to weighing mode by pressing and holding control bar).
- a momentary disturbance has occurred (recalibrate balance).

TECHNICAL SPECIFICATIONS

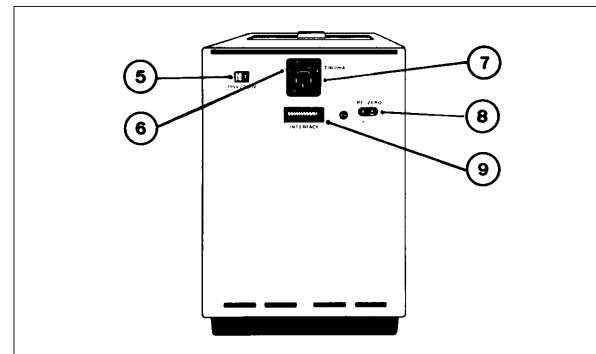
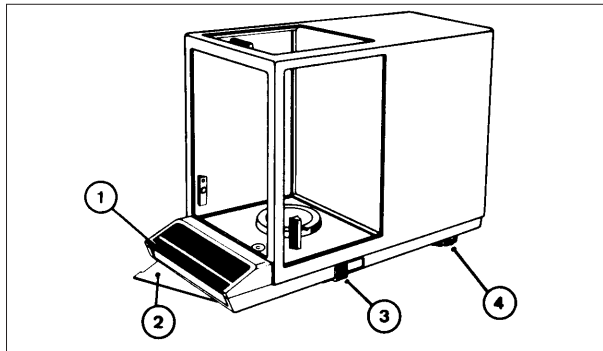
	<u>AE160</u>	<u>AE100</u>
Readability	0.1 mg	0.1 mg
Weighing range	0...162 g	0...109 g
Tare range (subtractive)	0...162 g	0...109 g
Stabilization time (typical)	5 sec.	
Integration time (can be configured: 1/2/3)	1.5/3/6 sec.	
Reproducibility (standard deviation)	0.1 mg	
Linearity	± 0.2 mg	
Linearity relative to 10 g	± 0.1 mg	
Admissible ambient temperature during operation	10...40 °C	
Sensitivity drift 10...30 °C	± 2·10 ⁻⁶ /°C	
Stability detector (can be configured)	2 sensitivity steps / switched off	
Power supply:		
– Voltage, adjustable	115 V / 220 V	
– Admissible voltage range	92...132 V / 184...265 V	
– Frequency	50...60 Hz	
– Power consumption	approx. 10 VA	
Weighing pan of stainless steel	∅ 80 mm	
Weighing chamber (width x depth x height)	172 x 155 x 220 mm	
Balance housing (width x depth x height)	205 x 410 x 290 mm	
Net weight	10.3 kg	
Calibration weight (built-in)	100 g, ± 0.2 mg, adjusted to an apparent mass of 8.0 g/cm ³ density at an air density of 1200 mg/l.	

METTLER TOLEDO AE160

Wägebereich 0...162 g
Ablesbarkeit 0,1 mg

METTLER TOLEDO AE100

Wägebereich 0...109 g
Ablesbarkeit 0,1 mg



Bedienungselemente und Anschlüsse

- 1 Bedientaste
- 2 Kurz-Bedienungsanleitung
- 3 Kalibrierhebel
- 4 Nivellierschrauben
- 5 Spannungswähler
- 6 Sicherungshalter
- 7 Netzbuchse
- 8 Anschlüsse für Fuss-/Handtaste
- 9 Anschluss für Datenschnittstelle

INHALTSVERZEICHNIS

Seite

Vorbereitung

Spannung prüfen, Waage aufstellen

18

Bedienung

Waage einschalten, Trieren

19

Eintasten-Automatik (Ablaufdiagramm)

20

Kalibrieren

21

Integrationszeit und Stillstandskontrolle

22

Einwägen mit DeltaDisplay

23

Weitere Möglichkeiten

Gehängedurchführung, Fernbedienung

24

Wartung und Pflege

24

Zubehör

25

Was ist wenn ...

26

Technische Daten

28

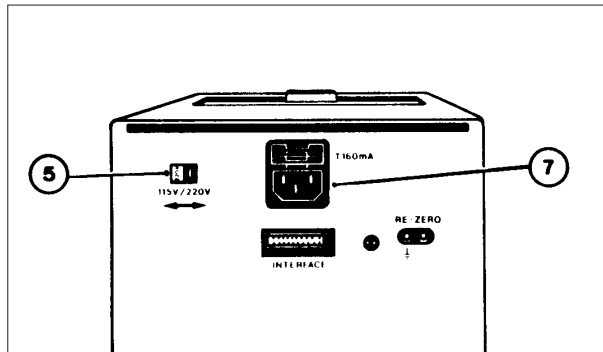
VORBEREITUNG: So wird die eingestellte Spannung geprüft und die Waage aufgestellt.

Die Waage muss vor der ersten Inbetriebnahme auf die Netzspannung eingestellt werden, an der sie angeschlossen wird.

Wählen Sie für Ihre Waage einen geeigneten Standort, dadurch wird die Leistungsfähigkeit noch erhöht.

Setzen Sie die Waagschale auf.

Nivellieren Sie die Waage und kontrollieren Sie die Nivellierung später regelmässig.



Eingestellte Spannung prüfen

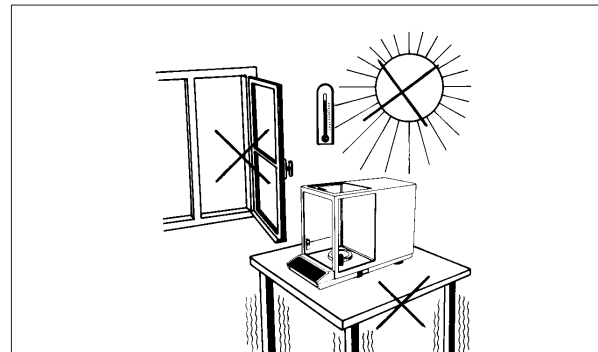
Über die Netzbuchse (7) ist ab Fabrik ein Etikett angebracht mit dem Aufdruck der eingestellten Spannung.

Stimmt der Aufdruck nicht mit der Netzspannung überein oder fehlt das Etikett, so ist die Einstellung des Spannungswählers (5) an der Rückwand zu prüfen und gegebenenfalls zu korrigieren.

Zulässige Netzspannung bei Schalterstellung:

115 V: 92 V...132 V

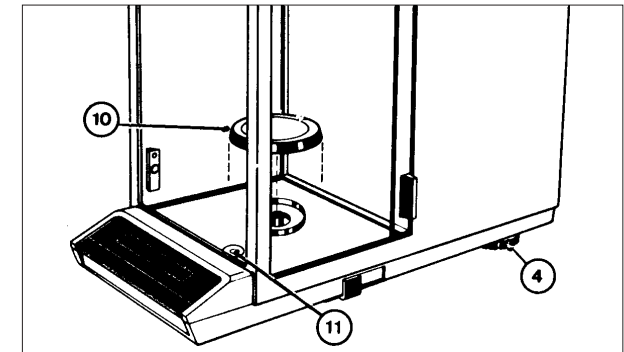
220 V: 184 V...265 V



Standort

- Feste, möglichst erschütterungsfreie Unterlage.
- Keine übermässigen Temperaturschwankungen.
- Direkte Sonnenbestrahlung und Zugluft vermeiden.
- Am gewählten Standort Netzkabel anschliessen.

Lässt sich nach obigen Kriterien kein idealer Platz finden, kann die Waage trotzdem gute Resultate erbringen. Wie, steht unter "Integrationszeit und Stillstandskontrolle".



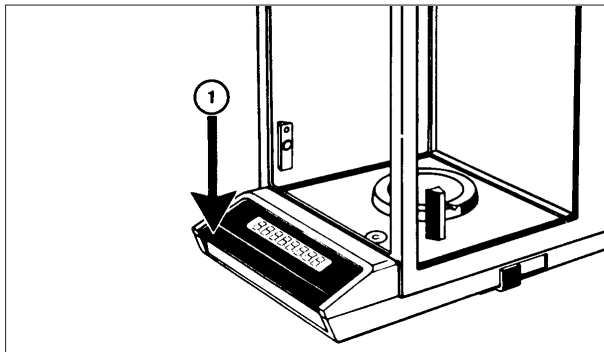
Waagschale aufsetzen, Nivellieren

- Waagschale (10) aufsetzen: der konische Zapfen zentriert diese in der Bodenöffnung des Wägeraumes.
- Die beiden Nivellierschrauben (4) sind so einzustellen, dass sich die Luftblase der Libelle (11) in der Mitte der Kreismarke befindet.

Nach jedem Standortwechsel: Waage erneut nivellieren.

BEDIENUNG: So wird die Waage eingeschaltet und tariert.

Mit der Bedientaste lässt sich die Waage tarieren und die Anzeige ein- und ausschalten. Beim Ausschalten mittels Bedientaste erlischt die Anzeige; der elektronische Teil bleibt eingeschaltet, solange das Netzkabel angeschlossen ist (stand-by). Dadurch ist die Waage jederzeit betriebsbereit, eine Anwärmzeit entfällt.



Waage ein- und ausschalten

Einschalten:

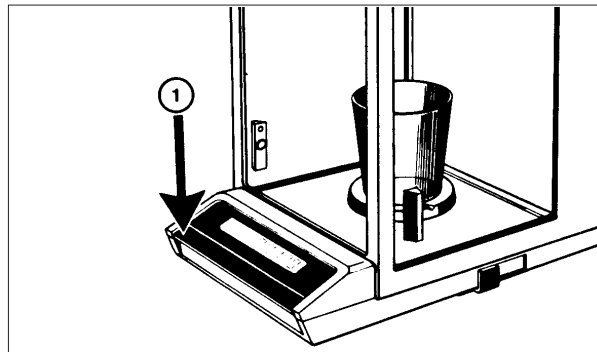
- Bedientaste (1) kurz drücken.
Alle Anzeigesegmente leuchten einige Sekunden lang:
88888888

Dies ermöglicht die Kontrolle der Anzeige.
Danach wird 00000 angezeigt.

Ausschalten:

- Bedientaste kurz anheben.

Zeigt die Waage OFF an, muss die Bedientaste nochmals kurz gedrückt werden.

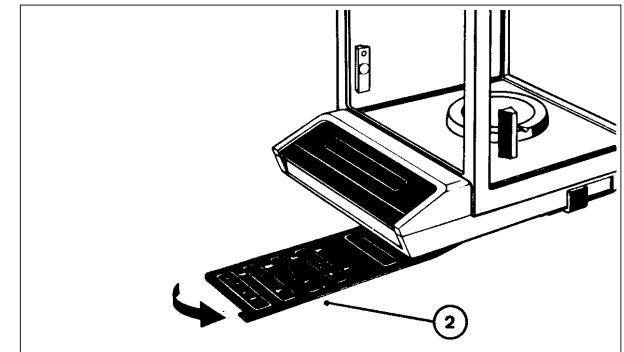


Tarieren

- Gefäß auf die Waagschale stellen. Das Gewicht wird angezeigt.
- Bedientaste (1) kurz drücken.
Anzeige erlischt, dann erscheint 00000.

Damit ist tariert.

Für das Einwiegen ist jetzt der Wägebereich abzüglich Gefäßgewicht verfügbar.



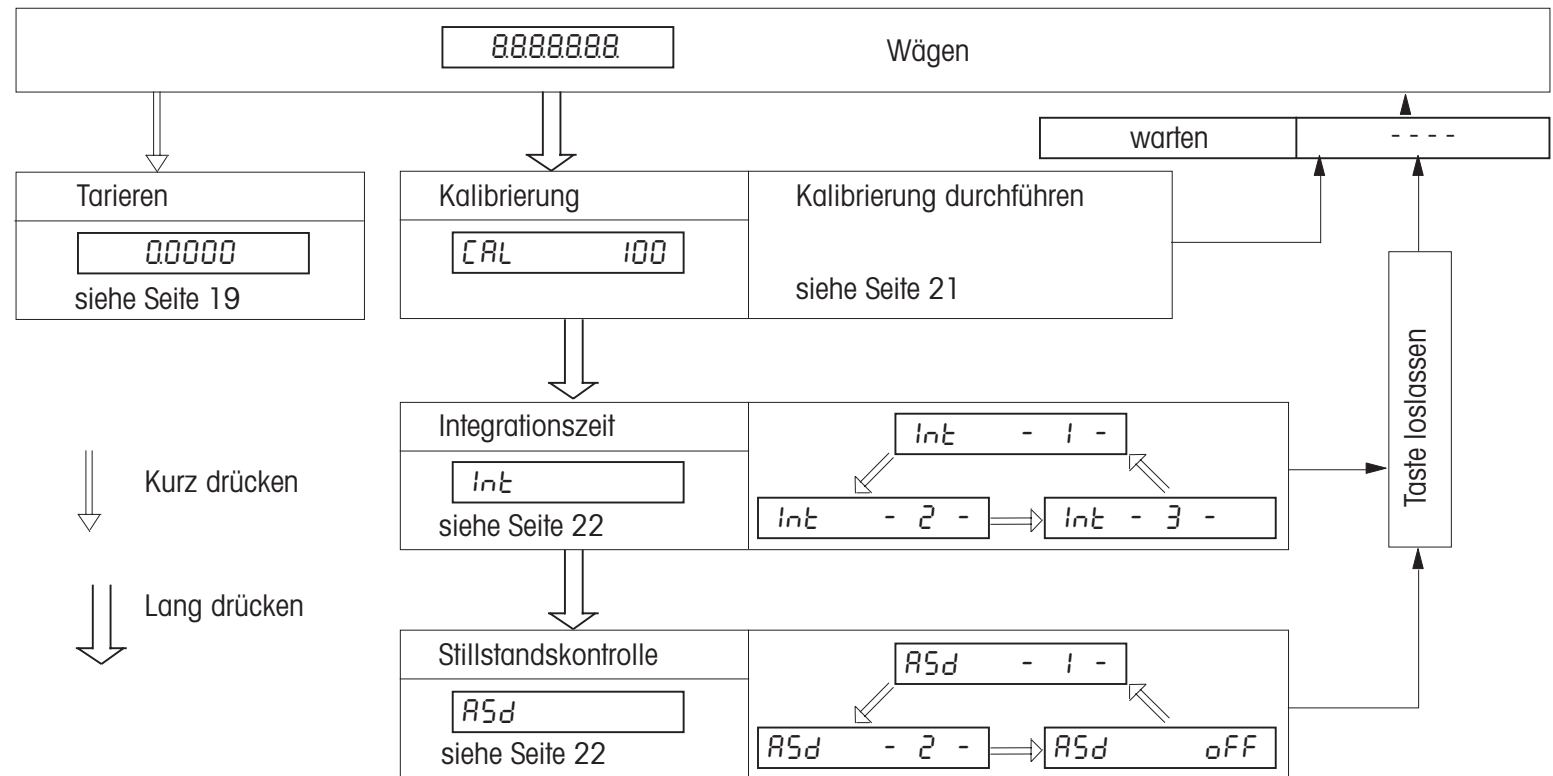
Kurz-Bedienungsanleitung

Unter dem Gehäuseboden ist eine ausschwenkbare Kurz-Bedienungsanleitung (2) angebracht.

Auf der folgenden Seite ist ein ausführlicher Ablauf (Konfigurationszyklus) dargestellt.

BEDIENUNG: So funktioniert die Eintasten-Automatik.

Ihre Waage ist mit nur einer Bedientaste ausgerüstet. Diese Taste ermöglicht das Ein- und Ausschalten der Anzeige, Trieren und Konfigurieren. Damit die Waage unter besten Bedingungen arbeitet, muss sie entsprechend konfiguriert werden. Durch langes Drücken der Bedientaste wird der Konfigurierzyklus gestartet. Auf der Anzeige erscheinen in Kurzform die einzelnen Konfiguriermodi. Nach Loslassen und erneut kurzem Drücken der Taste kann zwischen verschiedenen Stufen gewählt werden. (Ausnahme: Kalibrierung)

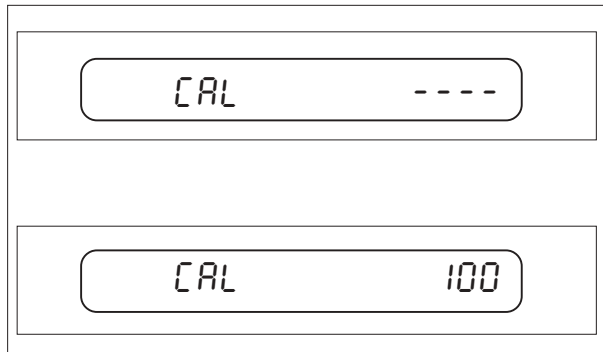


BEDIENUNG: So wird kalibriert.

Bevor mit der Waage zum ersten Mal gearbeitet wird, muss sie kalibriert werden.
Kalibrieren bedeutet, die richtige Gewichtsanzeige einstellen.

Die Waage ist mit einem eingebauten Kalibriergewicht ausgerüstet (Spezifikationen: siehe techn. Daten).

Achtung: Um stabile Resultate zu erzielen, wird empfohlen die Waage 60 Minuten vor dem Kalibrieren am Netz anzuschliessen.

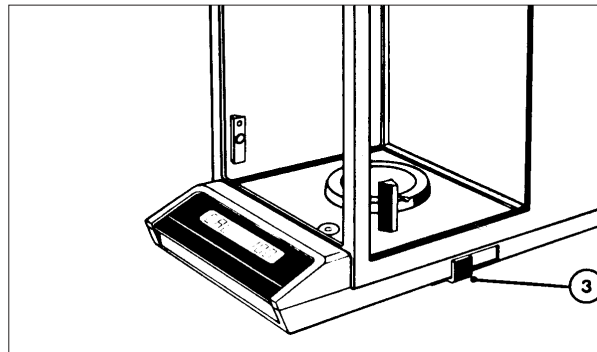


Vorbereitung zum Kalibrieren

- Alles Wägegut auf Waagschale entfernen.
- Schiebefenster schliessen.

Waage auf Kalibrieren stellen:

- Bedientaste (1) drücken, bis "CAL" angezeigt wird.
- Bedientaste loslassen.
Es erscheint "CAL - - - -".



Waage kalibrieren

Das Kalibriergewicht wird mit dem Kalibrierhebel (3) aufgelegt.
Sobald "CAL 100" erscheint (100 blinkt), Hebel langsam nach hinten schieben.
Es erscheint zuerst "CAL - - - -" und dann "100.0000". Sobald die Anzeige "CAL 0" anzeigt, (0 blinkt), Hebel wieder zurückstellen.
Warten: Anzeige "- - - -" und dann "0.0000".

BEDIENUNG: So wird die Integrationszeit und Stillstandskontrolle gewählt.

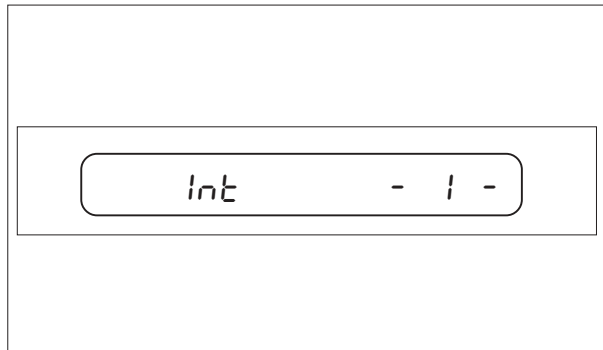
Die AE-Waagen können trotz unruhigem Wägeplatz einwandfreie Resultate liefern. Zusätzlich ergibt die Stillstandskontrolle (ASd: Automatic Stability detection) eine weitere Sicherheit der Resultate.

Einstellkriterien: Normaleinstellung
 Int : Stufe 2
 ASd : Stufe 2

Höhere Wägeschwindigkeit
Int : Stufe 1
ASd : Stufe 2

Höhere Wägegenauigkeit
Int : Stufe 3
ASd : Stufe 1

Werden Integrationszeit und Stillstandskontrolle geändert, bleibt das vorher angezeigte Wägeresultat erhalten.



Integrationszeit (Int)

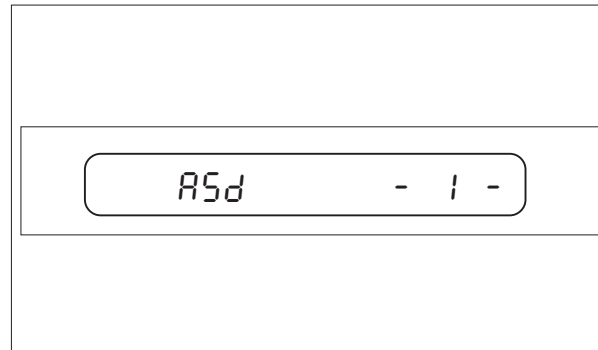
- Bedientaste (1) drücken, bis die Waage "Int" anzeigt.
- Durch kurzes Drücken der Taste kann zwischen den Stufen 1, 2 oder 3 gewählt werden.

Stufe 1: kürzeste Zeit

Wenn die gewünschte Stufe gewählt ist, warten bis die Waage wieder im Wägemodus ist.

Wenn die Normaleinstellung zu langsam ist: Stufe 1 wählen.

Wenn die Anzeige zu unruhig ist: Stufe 3 wählen.

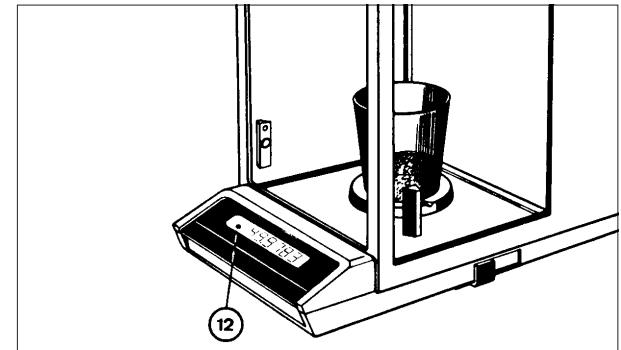


Stillstandskontrolle (ASd)

- Bedientaste (1) drücken bis die Waage "ASd" anzeigt.
- Durch kurzes Drücken der Taste kann zwischen den Stufen 1, 2 oder OFF umgeschaltet werden.

Stufe 1: grösste Empfindlichkeit

Falls die Stillstandskontrolle nicht erwünscht ist, kann sie ausgeschaltet werden (Position "OFF"), wobei der DeltaDisplay ebenfalls ausgeschaltet ist.



Der grüne Punkt (12) in der Anzeige links leuchtet auf bei Nichtstillstand der Waage.

Mit Aufleuchten des Punktes wird die Datenschnittstelle gesperrt.

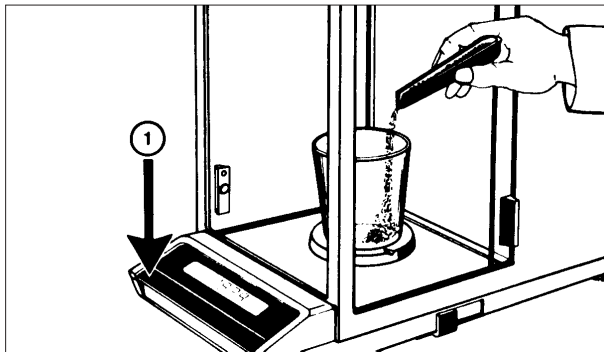
Das Resultat soll stets erst nach Erlöschen der Stillstandskontrolle abgelesen werden.

BEDIENUNG: So wird eingewogen mit DeltaDisplay

Die AE-Waagen sind mit dem DeltaDisplay ausgerüstet, einem (abschaltbaren) Anzeigemodus, der sich besonders für das Einwiegen eignet. Das augenblickliche Gewicht wird durch schnellen Ziffernwechsel nahezu verzögerungsfrei zur Anzeige gebracht.

Zur besseren Übersicht werden bei schnellen Gewichtsveränderungen zusätzlich die letzten 2 Stellen gelöscht.

Zusammen mit dem DeltaDisplay wird die Stillstandskontrolle eingeschaltet, welche die Datenschnittstelle nur bei stabiler Gewichtsanzeige freigibt.

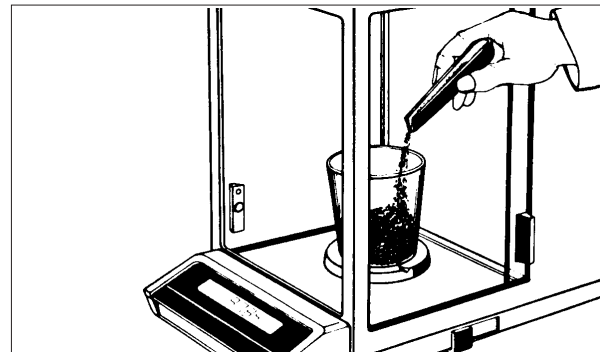


Einwiegen

- Gefäß auf die Waagschale stellen.
- Trieren (1): Nullanzeige erscheint.
- Wägegut einfüllen bis zum gewünschten Sollgewicht.

Sollen verschiedene Wägegüter nacheinander eingewogen werden, kann nach jedem Einwiegen tariert und dann von Null aus weiter eingewogen werden, bis Gefäß und alle Wägegüter zusammen dem eingestellten Wägebereich eintreffen.

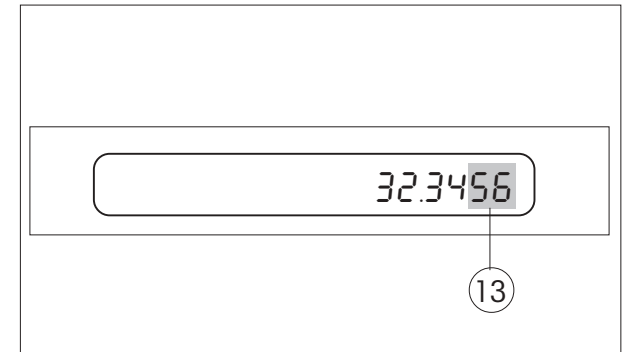
Falls der Wägebereich überschritten wird, leuchten alle oberen Segmente auf: "-----".



DeltaDisplay

Beim zügigen Zudosieren des Wägegutes wird der DeltaDisplay wirksam: die letzten 2 Stellen (13) nach dem Komma werden gelöscht und der Ziffernwechsel beschleunigt. Die Gewichtszunahme lässt sich dadurch besser verfolgen.

Der DeltaDisplay ist ausgeschaltet, wenn die Stillstandskontrolle (ASd) auf "OFF" konfiguriert ist.



Beim Feindosieren auf Sollgewicht werden die letzten 2 Stellen automatisch wieder zugeschaltet. Der Ziffernwechsel bleibt weiterhin beschleunigt.

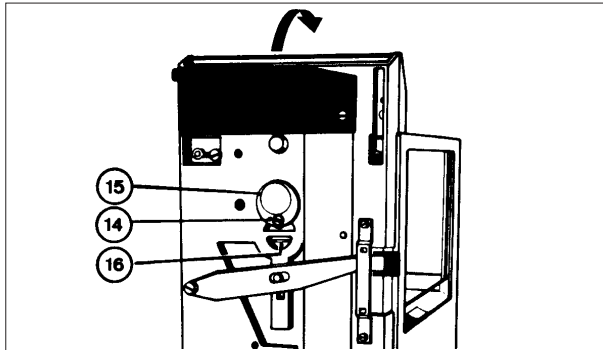
Erst bei sehr kleinen Gewichtsveränderungen schaltet die Waage wieder auf den normalen Ziffernwechsel um.

Damit steht das stabile Wägeresultat mit der vollen Genauigkeit in der Anzeige.

WEITERE MÖGLICHKEITEN: Gehängedurchführung und Fernbedienung.

Mit der Gehängedurchführung kann unterhalb des Wägeraums mit speziellem Halter gewogen werden.

Der Halter ist nicht von METTLER TOLEDO lieferbar und muss kundenseitig angefertigt werden.



Gehängedurchführung

- Alle Schiebefenster öffnen.
- Waagschale abnehmen.
- Waage auf Rückwand stellen.
- Schraube (14) am Waagenboden etwas lösen.
- Deckel (15) ausschwenken.
- Schraube (14) wieder anziehen.

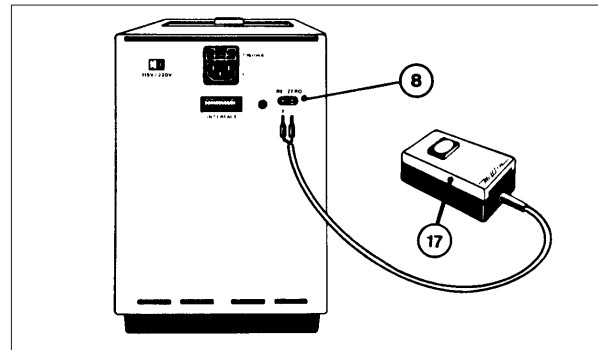
In der Öffnung ist der Haken (16) sichtbar, an dem das Wägegut mittels Halter angehängt wird.

- Waage aufstellen, Waagschale aufsetzen und nivellieren.
- Bei angehängtem Halter tarieren.

Die Waagschale braucht nicht aufgesetzt zu werden, sofern der Halter mindestens gleich schwer ist wie die Waagschale.

WARTUNG UND PFLEGE

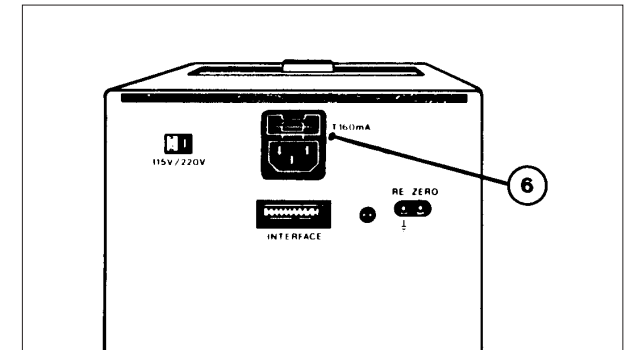
Die Waage erfordert nur wenig Wartungs- und Pflegearbeiten. Zum Reinigen von Waagschale und Gehäuse genügt ein Lappen und etwas Seifenwasser. Keine starken Lösungsmittel verwenden. Um Rückstände aus dem Wägeraum zu entfernen dient der Pinsel (siehe Zubehör). Auf keinen Fall blasen!



Fernbedienung

Mit einer externen Hand- oder Fusstaste kann tariert werden (siehe Zubehör).

- Hand- oder Fusstaste (17) an den Buchsen (8) auf der Waagenrückseite anschliessen.

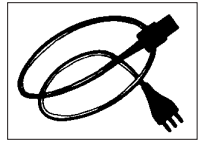


Feinsicherung ersetzen

- Netzkabel herausziehen.
- Mit einem Schraubenzieher Kappe (6) herausdrücken.
- Defekte Sicherung ersetzen. (Ersatzsicherung im Halter).
- Neue Ersatzsicherung einlegen.
- Sicherungshalter wieder einsetzen und leicht hineindrücken.
- Netzkabel wieder anschliessen.

ZUBEHÖR

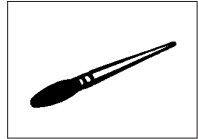
Der Waage liegen bei:



Netzkabel
Neutral
Schweiz
Deutschland
USA

Bestell-Nr.

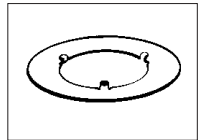
87576
87920
87925
88668



Haarpinsel

70114

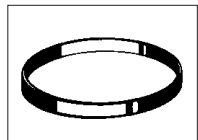
Auf Wunsch lieferbar:



Zentrierscheibe
(zu Windschutz-Ring)

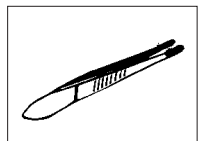
Bestell-Nr.

38609



Windschutz-Ring stapelbar:
1 Stück

38594



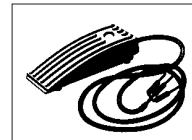
Pinzette, 210 mm lang
(mit Kunststoff-Spitzen)

70209



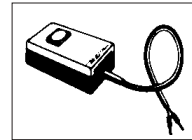
Dichtebestimmungszusatz

40290



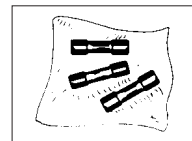
Fusstaste

Bestell-Nr.
46278



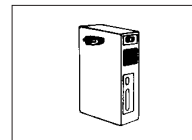
Handtaste

42500



Feinsicherung:
(Satz à 3 Stück) 160 mA

55144



Datenschnittstellen
Option 011
(CL/RS232, unidirectional)
Option 012
(CL/RS232, bidirectional)
Option 013
(IEEE 488)

38750

38751

38752

WAS IST, WENN ...

... die ganze Anzeige nicht leuchtet?

... auf der Anzeige OFF leuchtet?

... auf der Anzeige nur die oberen Querstriche der Ziffern leuchten?

... auf der Anzeige nur die unteren Querstriche der Ziffern leuchten?

– das Wägeresultat unstabil ist?

... das Wägeresultat offensichtlich falsch ist?

... nur ein Teil der Anzeige leuchtet?

DANN IST ...

- die Waage nicht eingeschaltet
- das Netzkabel nicht eingesteckt
- keine Netzspannung vorhanden
- eine kurzzeitige Störung eingetreten (Aus- und wieder einschalten oder Netzkabel herausziehen und wieder einstecken)
- der Spannungswähler falsch eingestellt (richtig einstellen gemäss "Spannung prüfen, Waage aufstellen")
- die Feinsicherung defekt (ersetzen gemäss "WARTUNG UND PFLEGE"), im Wiederholungsfall: METTLER TOLEDO Service beiziehen
- das Netzkabel herausgezogen und wieder eingesteckt worden oder die Netzspannung vorübergehend ausgefallen (Bedientaste kurz drücken)
- der Wägebereich überschritten
- das Kalibriergewicht aufgelegt (Hebel nach vorne stellen)
- beim Einschalten die Waagschale nicht leer gewesen (Waagschale leeren, aus- und einschalten)
- die Waagschale nicht aufgelegt (Unterlast)
- beim Einschalten die Waagschale nicht leer gewesen (Waagschale leeren, aus- und einschalten)
- zuviel Zugluft vorhanden (Schiebefenster geschlossen?)
- der Wägeplatz unstabil
- die Integrationszeit zu kurz eingestellt
- Handwärme im Wägeraum
- das Wägegut nicht auf Raumtemperatur
- nicht tariert worden
- die Waage nicht oder mit falschem externem Gewicht kalibriert
- der Spannungswähler falsch eingestellt oder die Netzspannung gesunken
- eine kurzzeitige Störung eingetreten (aus- und einschalten oder Netzkabel herausziehen und wieder einstecken)
- der DeltaDisplay aktiv

WAS IST, WENN ...

- ... die Anzeige auf einen Wert blockiert ist oder sinnlose Zeichen angezeigt werden?
- ... die mittleren Querstriche blinken?
- ... die mittleren Querstriche nicht zu blinken aufhören? (länger als ca. 30 sec)
- ... der grüne Punkt der Stillstandskontrolle nicht erlischt?

- ... beim Kalibrieren nur Querstriche leuchten?
- ... CAL 100 blinkt?

- ... CAL 0 blinkt?

- ... CAL Err erscheint?

- ... no CAL erscheint?

DANN IST ...

- der Spannungswähler falsch eingestellt
- die Netzspannung gesunken

- die Waage im Konfigurierzyklus (warten bis 0.0000 erscheint).
- der Wägeplatz oder die Last zu unruhig (Schiebefenster schliessen, längere Integrationszeit wählen und/oder Stillstandskontrolle ausschalten)
- die Stillstandskontrolle zu empfindlich eingestellt (siehe "Integrationszeit und Stillstandskontrolle")
- der Waagenstandort zu ungünstig (Zugluft, Vibrationen)
- der Wägeplatz zu unruhig (Zugluft, Schiebefenster)
- der Kalibrierhebel nicht betätigt oder ein externes Kalibriergewicht nicht aufgelegt worden
- der Kalibrierhebel nicht zurückgestellt oder ein externes Kalibriergewicht immer noch auf der Waagschale
- vor dem Kalibrieren die Waagschale nicht leer gewesen oder ein falsches externes Kalibriergewicht wurde verwendet (durch langen Druck auf Bedientaste in den Wägemodus zurückstellen)
- eine kurzzeitige Störung eingetreten (Waage neu kalibrieren)

TECHNISCHE DATEN

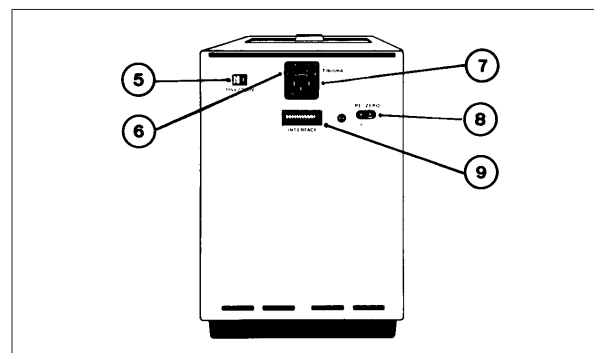
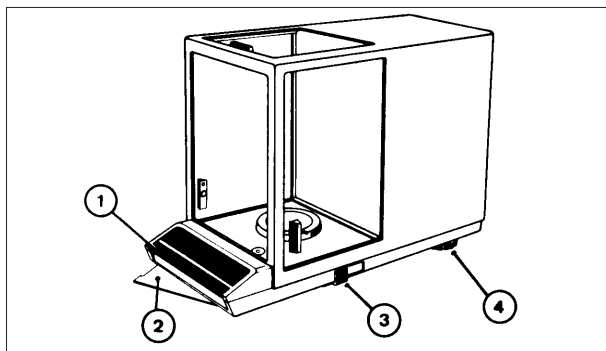
	<u>AE160</u>	<u>AE100</u>
Ablesbarkeit	0,1 mg	0,1 mg
Wägebereich	0...162 g	0...109 g
Tarierbereich (subtraktiv)	0...162 g	0...109 g
Einschwingzeit (typisch)	5 s	
Integrationszeit (konfigurierbar 1/2/3)	1,5/3/6 s	
Reproduzierbarkeit (Standardabweichung)	0,1 mg	
Linearität	± 0,2 mg	
Linearität bezogen auf 10 g	± 0,1 mg	
Zulässige Umgebungstemperatur während des Betriebes	10...40 °C	
Empfindlichkeitsdrift	± 2·10 ⁻⁶ /°C	
Stillstandskontrolle konfigurierbar	2 Empfindlichkeiten / Ausgeschaltet	
Netzanschluss:		
– Spannung wählbar	115 V / 220 V	
– Zulässiger Spannungsbereich	92...132 V / 184...265 V	
– Frequenz	50...60 Hz	
– Leistungsaufnahme	ca. 10 VA	
Waagschale aus Chromnickelstahl	Ø 80 mm	
Wägeraum (Breite x Tiefe x Höhe)	172 x 155 x 220 mm	
Waagengehäuse (Breite x Tiefe x Höhe)	205 x 410 x 290 mm	
Nettogewicht	10,3 kg	
Kalibriergewicht (eingebaut)	100 g ± 0,2 mg,	abgeglichen bei Luftdichte 1200 mg/l. auf scheinbare Masse mit Dichte 8,0 g/cm ³

METTLER TOLEDO AE160

Plages de pesée 0...162 g
Précision d'affichage 0,1 mg

METTLER TOLEDO AE100

Plages de pesée 0...109g
Précision d'affichage 0,1 mg



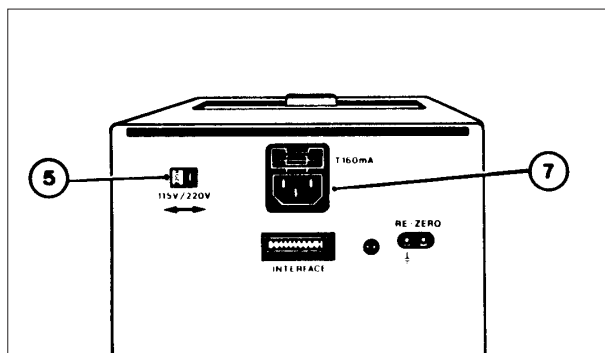
Éléments de commande et de connexion

- 1 Touche de commande
- 2 Mode d'emploi sommaire
- 3 Levier de calibrage
- 4 Vis de mise de niveau
- 5 Sélecteur de tension
- 6 Porte-fusible
- 7 Prise d'alimentation
- 8 Prise pour pédale ou touche
- 9 Connecteur pour interface de données

<u>SOMMAIRE</u>	<u>Page</u>
<u>Préparation</u>	
Contrôle de la tension, installation de la balance	32
<u>Commande</u>	
Mise sous tension de la balance, tarage	33
Touche unique de commande (organigramme de configuration)	34
calibrage	35
Temps d'intégration et détecteur de stabilisation	36
Dosage avec DeltaDisplay	37
<u>Possibilités supplémentaires</u>	
Dispositif pour peser sous la balance, commande à distance	38
<u>Entretien</u>	38
<u>Accessoires</u>	39
<u>Que faire en cas d'anomalies?</u>	40
<u>Caractéristiques techniques</u>	42

PREPARATION: Contrôle de la tension et installation de la balance

Avant de commencer à se servir de la balance, il faut la régler sur la tension du secteur d'alimentation. Choisissez un emplacement approprié pour permettre à votre balance d'opérer au maximum de ses capacités. Mettre le plateau en place. Mettre la balance de niveau et contrôler par la suite le niveau à intervalles réguliers.



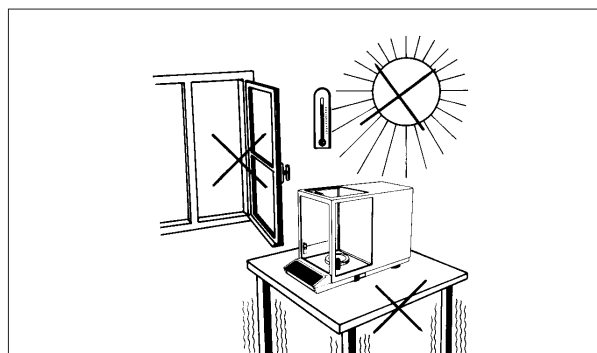
Contrôle de la tension

La tension réglée en usine est indiquée sur une étiquette apposée sur la prise d'alimentation (7).

Si la tension indiquée sur l'étiquette ne concorde pas avec la tension d'alimentation ou si l'étiquette fait défaut, contrôler (et, si nécessaire, corriger) la tension au moyen du sélecteur (5) sur la face arrière de la balance.

Tensions admissibles:

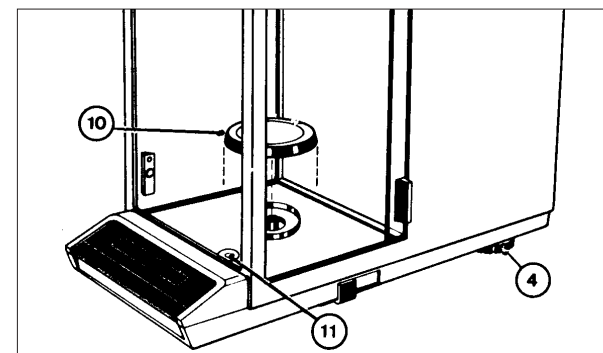
115 V: entre 92 V et 132 V
220 V: entre 184 V et 265 V



Emplacement

- Choisir un support stable, si possible à l'abri des vibrations.
- Pas d'écarts de température excessifs.
- Eviter le contact direct avec les rayons solaires et les courants d'air.
- Une fois l'emplacement trouvé, brancher le câble secteur.

Au cas où il s'avérerait impossible de trouver un emplacement approprié, votre balance pourra quand même fournir des résultats fiables. Dans ce cas, se reporter au chapitre "Temps d'intégration et détecteur de stabilisation".



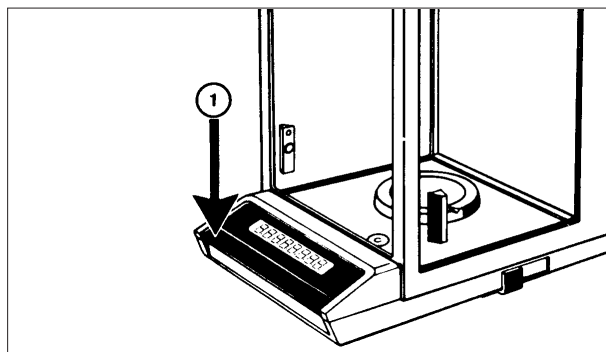
Mise en place du plateau, mise de niveau

- Mettre en place le plateau (10) en veillant à centrer le cône sur le logement ménagé dans la base de la chambre de pesée.
- Tourner les deux vis (4) jusqu'à ce que la bulle d'air du niveau (11) se trouve au centre du repère circulaire.

Remettre la balance de niveau chaque fois qu'elle change d'emplacement.

COMMANDE: Mise sous tension et tarage

La touche de commande permet de mettre la balance sous tension et hors circuit, et de tarer. A la mise hors circuit, l'affichage s'éteint, mais le système électronique reste sous tension tant que le câble secteur est branché. La balance est donc toujours prête à l'emploi et ne nécessite aucun temps d'échauffement.



Mise sous tension et hors circuit

Pour mettre la balance sous tension:

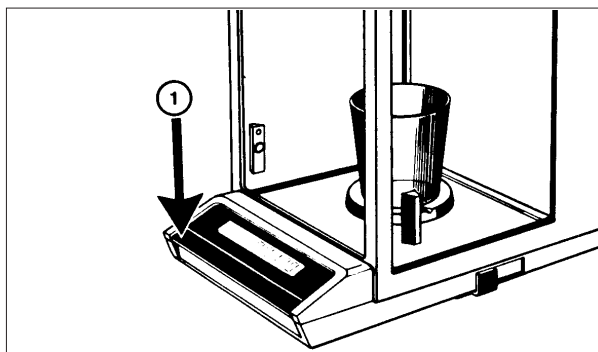
- Appuyer brièvement sur la touche de commande (1). Tous les segments de l'affichage s'allument alors pendant quelques instants, à des fins de contrôle: *88888888*.

Ensuite, la balance affiche *00000*.

Pour mettre la balance hors circuit:

- Soulever brièvement la touche de commande (1).

Si la balance affiche *OFF*, appuyer de nouveau brièvement sur la touche de commande (1).

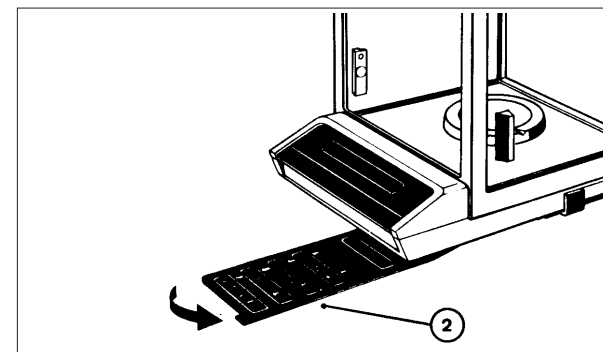


Tarage

- Placer un récipient sur le plateau. La balance affiche le poids du récipient.
- Appuyer brièvement sur la touche de commande (1). L'affichage disparaît puis revient sur *00000*.

Le tarage est fini.

Vous disposez maintenant de la plage de pesée choisie, moins le poids du récipient taré.



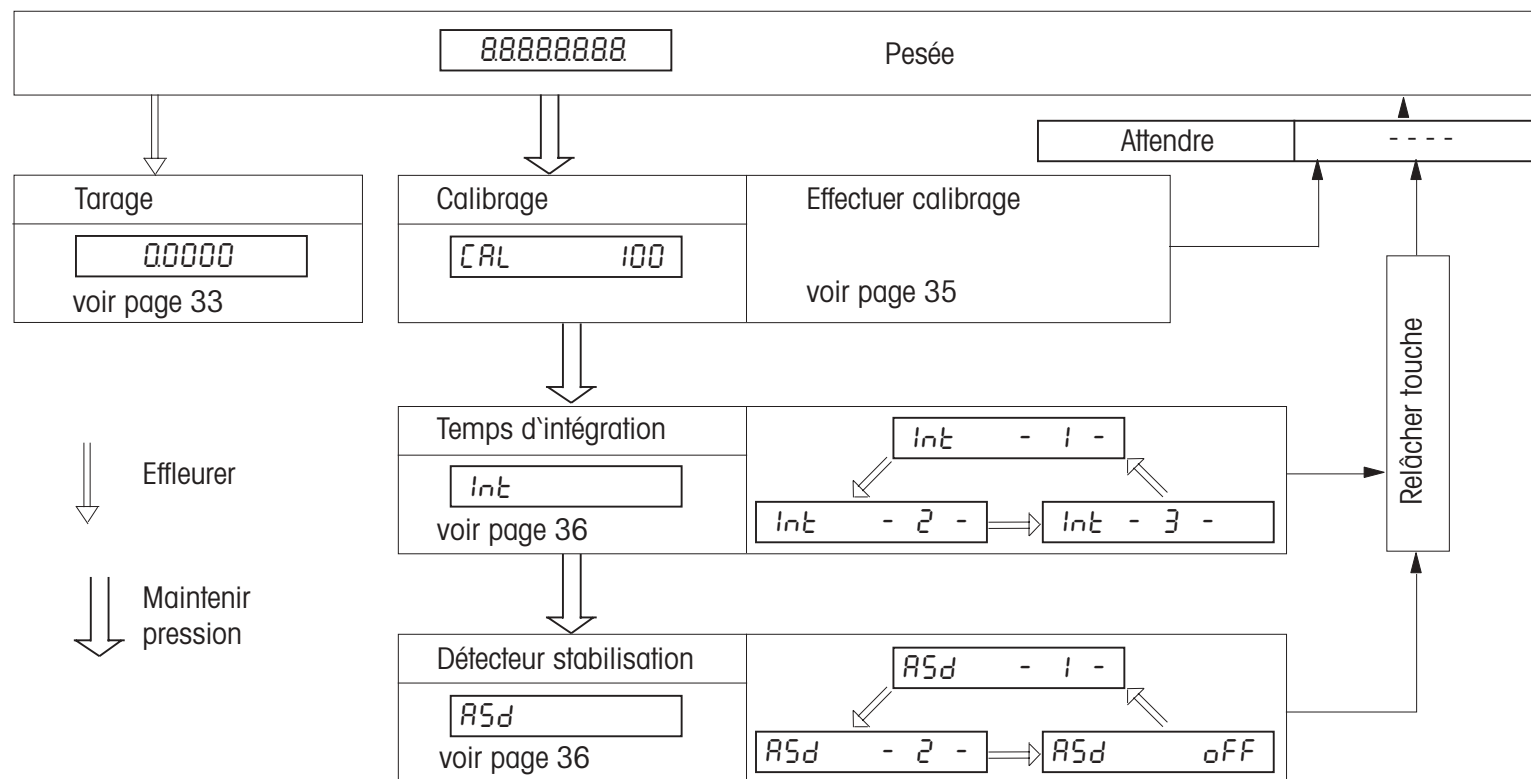
Mode d'emploi sommaire

Ce mode d'emploi escamotable (2) est logé sous le boîtier de la balance.

Il est présenté sur la page suivante sous forme d'organigramme de configuration.

COMMANDE: Fonctionnement de la touche de commande

Votre balance comporte une seule touche de commande, servant à mettre la balance sous tension et hors circuit, à tarer et à "configurer". En configurant la balance en conséquence, on lui permet de travailler dans les meilleures conditions possibles. Le cycle de configuration est mis en route en maintenant une pression sur la touche de commande. L'affichage signale les différents modes de configuration. En relâchant la touche de commande et en l'effleurant brièvement ensuite, on peut choisir parmi plusieurs "niveaux" (à l'exception du calibrage qui ne comporte qu'un seul niveau).

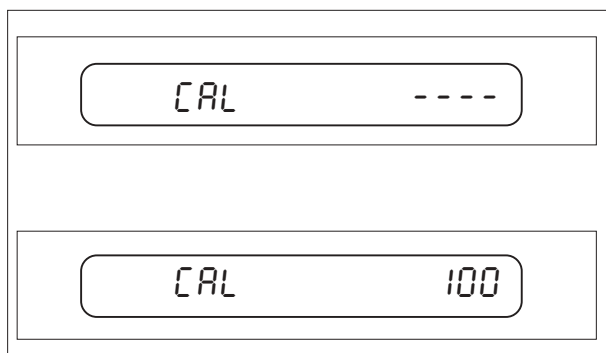


COMMANDE: Calibrage de la balance

Avant d'utiliser la balance pour la première fois, il faut la calibrer, c'est-à-dire la régler sur un affichage juste.

La balance comporte un poids de calibrage incorporé (pour ses spécifications, voir caractéristiques techniques).

Attention: pour obtenir des résultats stables, il est recommandé de brancher la balance au secteur d'alimentation 60 minutes avant de procéder au calibrage.

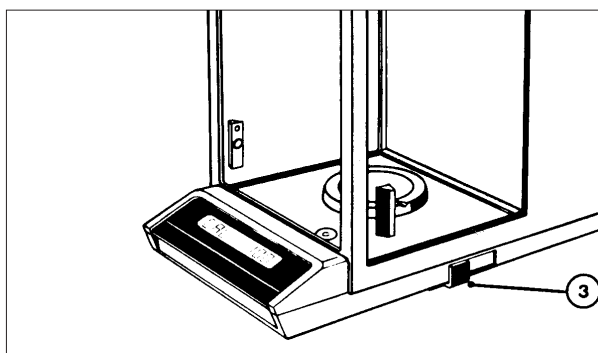


Préparatifs au calibrage

- Retirer tout objet se trouvant sur le plateau.
- Fermer les fenêtres coulissantes.

Mettre la balance sur callibrage, comme suit:

- Appuyer sur la touche de commande (1) jusqu'à ce que la balance affiche "CAL".
- Relâcher la touche de commande. La balance affiche "CAL ----".



Calibrage de la balance

On applique le poids de calibrage au moyen du levier (3).

Dès que la balance affiche "CAL 100" (le chiffre 100 clignote) actionner lentement le levier vers l'arrière. La balance affiche d'abord "CAL - - - -", puis "100.0000".

Lorsque la balance affiche "CAL 0" (le 0 clignote), remettre le levier dans sa position de départ.

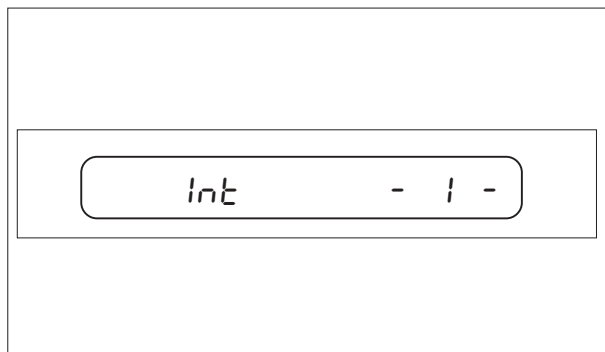
Attendre que la balance affiche "- - - -", puis "0.0000".

COMMANDE: temps d'intégration (Int) et détecteur de stabilisation (ASd)

Les balances AE sont capables de fournir des résultats fiables, même par conditions de service défavorables. Pour plus de sûreté, elle bénéficie du détecteur automatique de stabilisation ("ASd" = Automatic Stability Detection).

Réglages possibles:	Réglage normal	Vitesse de pesée maximale	Précision de pesée maximale
	Int 2	Int 1	Int 3
	ASd 2	ASd 2	ASd 1

Lorsqu'on modifie le temps d'intégration et le détecteur de stabilisation, la balance conserve le dernier résultat affiché.



Temps d'intégration ("Int")

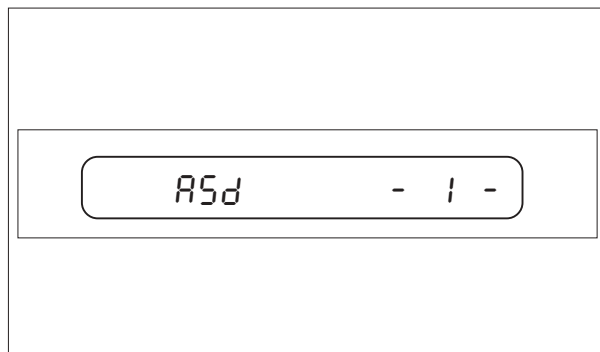
- Appuyer sur la touche de commande (1) jusqu'à ce que la balance affiche "Int".
- En effleurant la touche (1), vous pouvez choisir le temps d'intégration 1, 2 ou 3.

Position 1= temps minimal

Une fois choisi le temps d'intégration voulu, attendre que la balance soit en mode "pesée".

Si la position normale se révèle trop lente, régler sur la position 1.

Si l'affichage est trop instable, régler sur la position 3.

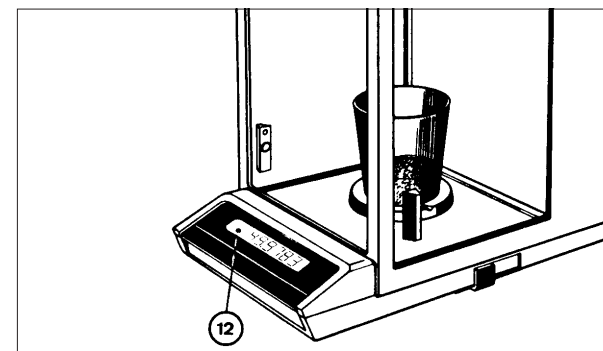


Détecteur de stabilisation ("ASd")

- Appuyer sur la touche de commande (1) jusqu'à ce que la balance affiche "ASd".
- En effleurant la touche (1), vous pouvez choisir entre 1, 2 et OFF.

Position 1= sensibilité maximale,

Si vous voulez vous passer du détecteur de stabilisation, vous pouvez le déconnecter (mettre sur "OFF"). Ce faisant, vous déconnectez en même temps le DeltaDisplay.



Le témoin vert (12) de l'affichage s'allume lorsque le résultat affiché n'est pas stable.

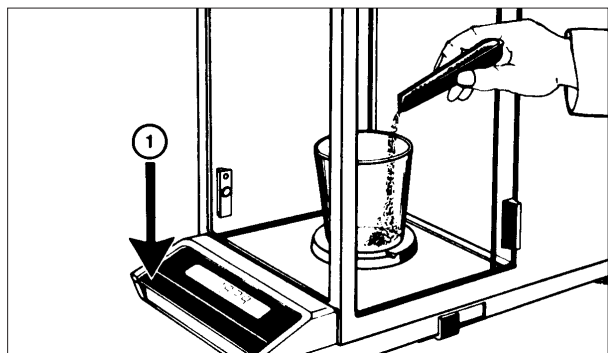
Lorsque ce témoin est allumé, l'interface de données est bloqué.

Le résultat affiché ne doit être relevé que lorsque le témoin (12) est éteint.

COMMANDE: dosage avec METTLER DeltaDisplay

Les balances AE sont dotées du METTLER DeltaDisplay, mode d'affichage (déconnectable) convenant surtout aux dosages. Le poids instantané est affiché pratiquement sans retard, grâce à la vitesse d'affichage du DeltaDisplay. Lorsqu'on dose vite, les deux dernières décimales de l'affichage ne sont pas indiquées, une telle précision étant inutile en dosage approximatif.

En connectant le DeltaDisplay, on met en même temps sous tension le détecteur automatique de stabilisation qui a pour tâche de ne libérer l'interface de données que lorsque le résultat affiché est parfaitement stable.

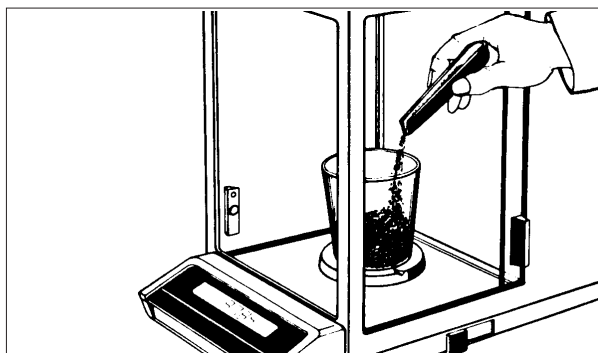


Dosage

- Placer le récipient sur le plateau.
- Tarer (1): la balance affiche zéro.
- Introduire la substance à doser jusqu'au poids recherché.

Pour doser plusieurs substances dans le même récipient, on tare après le dosage de chaque substance, ce qui permet d'effectuer le prochain dosage à partir de zéro.

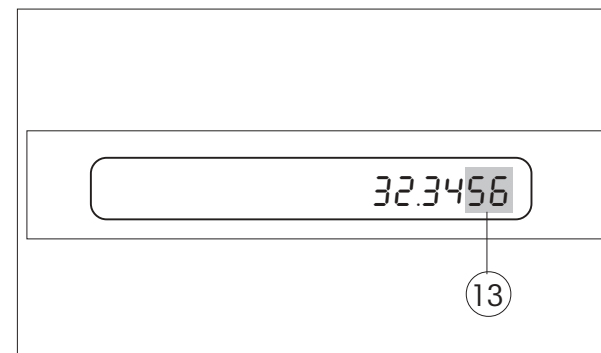
En cas de dépassement de la plage de pesée, la balance affiche les segments supérieurs des chiffres: "-----".



METTLER DeltaDisplay

Ce dispositif entre en action lors du dosage rapide (dosage approximatif): les deux dernières décimales (13) s'éteignent et la vitesse d'affichage s'accélère. Cela permet de mieux suivre les variations de poids.

Le DeltaDisplay est déconnecté lorsque le détecteur automatique de stabilisation (ASd) est sur "OFF".



Lors du dosage fin, la balance affiche automatiquement les deux dernières décimales. L'accélération de la vitesse d'affichage est maintenue.

Ce n'est que lorsque les variations de poids sont devenues minimales que la balance retrouve sa vitesse d'affichage habituelle.

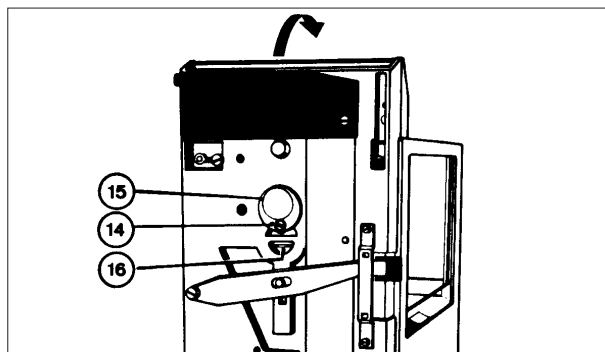
Vous pouvez ainsi lire le résultat stable et précis sur l'affichage.

POSSIBILITES SUPPLEMENTAIRES: pesées au-dessous de la balance et commande à distance

Pour peser sous la balance, il suffit de prévoir un élément de suspension de la charge.

L'élément de suspension n'est pas fourni par METTLER TOLEDO.

C'est à vous de le confectionner.



Pesée sous la balance

- Ouvrir les fenêtres coulissantes.
- Retirer le plateau.
- Coucher la balance sur la face arrière.
- Desserrer légèrement la vis (14) située à la base de la balance.
- Faire pivoter le couvercle (15).
- Resserrer la vis (14).

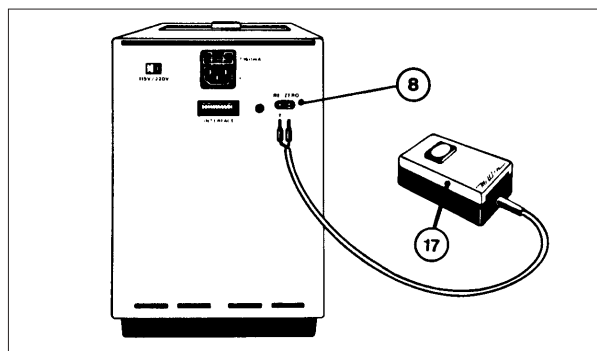
L'ouverture ainsi dégagée contient le crochet (16) servant à accrocher l'élément de suspension de la charge.

- Remettre la balance sur ses pieds, monter le plateau et mettre la balance de niveau.
 - Tarer, une fois l'élément de suspension monté.
- Si cet élément de suspension est au moins aussi lourd que le plateau, il n'est pas nécessaire de monter le plateau.

ENTRETIEN

L'entretien de votre balance est extrêmement réduit. Le plateau et le boîtier sont à laver avec un chiffon et de l'eau savonneuse.

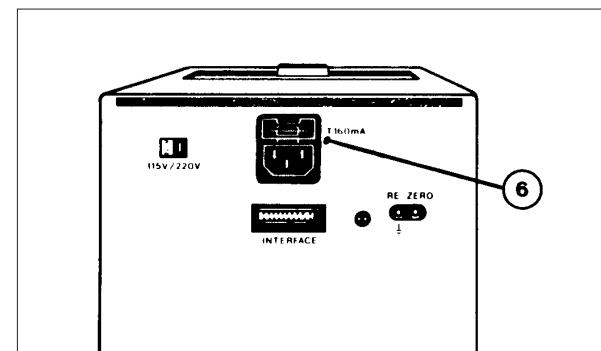
Ne pas employer de solvants forts. Le pinceau (voir accessoires) sert à enlever les résidus de la chambre de pesée. Ne jamais les enlever en soufflant dessus.



Commande à distance

Le tarage peut s'opérer au moyen d'une touche ou pédale externe (voir accessoires).

- Relier la touche ou pédale (17) aux prises (8) de la face arrière de la balance.

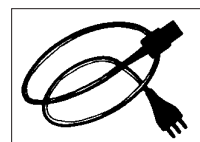


Remplacement du fusible

- Débrancher le câble secteur.
- Retirer le porte-fusible (6) au moyen d'un tournevis.
- Remplacer le fusible (le fusible de rechange est dans le porte-fusible).
- Mettre un nouveau fusible de rechange dans le porte-fusible.
- Mettre en place le porte-fusible en l'enfonçant légèrement.
- Brancher le câble secteur.

ACCESSOIRES

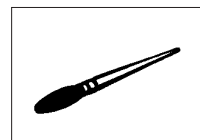
Fournis avec la balance:



Câble d'alimentation: neutre
Suisse
Allemagne
USA

N° de commande

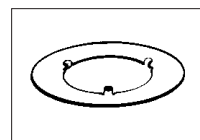
87576
87920
87925
88668



Pinceau fin

70114

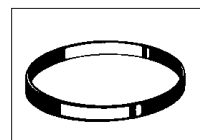
En option:



Collerette de centrage
(pour pare-brise)

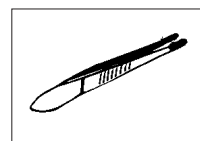
N° de commande

38609



Pare-brise à éléments super-
posables (1 élément)

38594



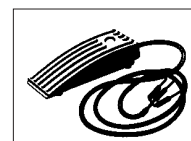
Pincette, 210 mm de longueur
(avec pointes en plastique)

70209



Kit pour la détermination
de la masse volumique

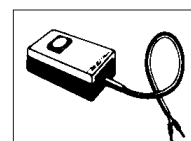
40290



Pédale de commande

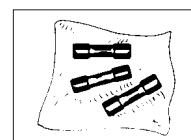
N° de commande

46278



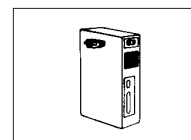
Touche de commande

42500



Fusible de 160 mAT
(jeu de 3 unités)

55144



Interfaces de données
Option 011
(CL/RS232, unidirectionnelle)
Option 012
(CL/RS232, bidirectionnelle)
Option 013
(IEEE 488)

38750

38751

38752

QUE FAIRE ...

... lorsque l'affichage reste éteint dans son intégralité

... lorsque la balance affiche "OFF"

... lorsque la balance affiche seulement les segments

... lorsque la balance affiche seulement les segments inférieurs des chiffres de l'affichage

– lorsque le résultat de pesée est instable

... lorsque le résultat de pesée est manifestement faux

Vérifier les causes d'anomalie suivantes:

- La balance n'est pas sous tension
- Le câble d'alimentation n'est pas branché
- Pas de tension secteur
- Panne de courte durée. (Mettre la balance hors circuit et de nouveau sous tension, ou débrancher le câble d'alimentation pour le rebrancher aussitôt après)
- Sélecteur de tension mal réglé. (Le régler correctement, comme indiqué au chapitre "Contrôle de la tension et installation de la balance")
- Fusible défectueux. (Le changer comme indiqué au chapitre "ENTRETIEN"). En cas de récurrence, prévenir le service après-vente METTLER TOLEDO
- Le câble d'alimentation a été débranché, puis rebranché, ou il y a eu une courte panne de courant. (Appuyer légèrement sur la touche de commande)
- Dépassement de la plage de pesée.
- Poids de calibrage appliqué. (Déplacer le levier vers l'avant)
- Le plateau n'était pas à vide à la mise sous tension. (Décharger le plateau, mettre la balance hors circuit, puis sous tension)
- Plateau non monté (souscharge)
- Le plateau n'était pas à vide à la mise sous tension. (Décharger le plateau, mettre la balance hors circuit, puis sous tension)
- Courant d'air excessif (avez-vous fermé les fenêtres coulissantes?)
- Poste de pesée instable
- Temps d'intégration réglé trop court
- Chaleur dégagée par la main de l'opérateur dans la chambre de pesée
- L'objet à peser n'est pas à la température ambiante
- Le tarage n'a pas été opéré
- La balance n'a pas été calibrée, ou alors avec un poids extérieur inapproprié
- Sélecteur de tension mal réglé, ou tension secteur affaiblie

QUE FAIRE ...

- ... lorsque seule une partie de l'affichage s'allume
- ... lorsque la balance affiche une valeur fixe ou des signes dépourvus de sens
- ... lorsque les segments du milieu clignotent
- ... lorsque les segments du milieu ne cessent de clignoter (plus de 30 secondes environ)
- ... lorsque le témoin vert du détecteur de stabilisation reste allumé
- ... lorsque, lors du calibrage, seuls les segments horizontaux s'allument
- ... lorsque l'affichage "CAL 100" clignote
- ... lorsque l'affichage "CAL 0" clignote
- ... lorsque la balance affiche "CAL Err"
- ... lorsque la balance affiche "no CAL"

Vérifier les causes d'anomalie suivantes:

- Panne de courte durée. (Mettre la balance hors circuit et de nouveau sous tension, ou débrancher le câble d'alimentation pour le rebrancher aussitôt après)
- DeltaDisplay actif
- Sélecteur de tension mal réglé
- Tension secteur affaiblie
- La balance est en cours de configuration. (Attendre qu'elle affiche "0.0000").
- Poste de pesée ou charge instable. (Fermer les fenêtres coulissantes, choisir un temps d'intégration plus long et/ou débrancher le détecteur de stabilisation)
- Détecteur de stabilisation réglé sur une sensibilité excessive (voir "Temps d'intégration et détecteur de stabilisation")
- Emplacement de la balance inadéquat (courants d'air, vibrations)
- Poste de pesée instable (courant d'air, fenêtres coulissantes ouvertes)
- Le levier de calibrage n'a pas été actionné ou l'on n'a pas appliqué de poids de calibrage externe
- Le levier de calibrage n'a pas été remis dans sa position initiale ou l'on n'a toujours pas retiré du plateau le poids de calibrage externe
- Avant le calibrage, le plateau n'était pas à vide ou l'on a appliqué un poids de calibrage externe inadéquat. (Mettre le plateau à vide et appuyer un instant sur la touche de commande pour passer en mode "pesée")
- Panne de courte durée. (Procéder à un nouveau calibrage de la balance)

CARACTERISTIQUES TECHNIQUES

	<u>AE160</u>	<u>AE100</u>
Précision d'affichage	0,1 mg	0,1 mg
Plage de pesée	0...162 g	0...109 g
Plage de tarage (soustractive)	0...162 g	0...109 g
Temps de stabilisation (typique)	5 s	
Temps d'intégration (réglable sur 3 positions)	1,5/3/6 s	
Reproductibilité (écart type)	0,1 mg	
Linéarité	± 0,2 mg	
Linéarité sur 10 g	± 0,1 mg	
Température ambiante admissible en cours de service	10...40 °C	
Dérive de sensibilité	± 2·10 ⁻⁶ /°C	
Détecteur de stabilisation réglable sur	2 sensibilités différentes et déconnectable	
Alimentation secteur:		
– Tension réglable sur	115 V / 220 V	
– Plages de tension admissibles	92...132 V / 184...265 V	
– Fréquence	50...60 Hz	
– Puissance absorbée	environ 10 VA	
Plateau en acier au nickel-chrome	Ø 80 mm	
Chambre de pesée (largeur x profondeur x hauteur)	172 x 155 x 220 mm	
Boîtier de la balance (largeur x profondeur x hauteur)	205 x 410 x 290 mm	
Poids net	10,3 kg	
Poids de calibrage incorporé à la balance	100 g ± 0,2 mg,	ajusté pour une masse volumique de l'air de 1200 mg/l à une masse volumique apparente de 8,0 g/cm ³

METTLER TOLEDO AE160

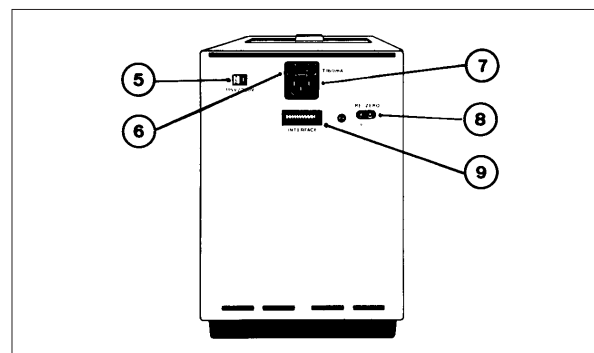
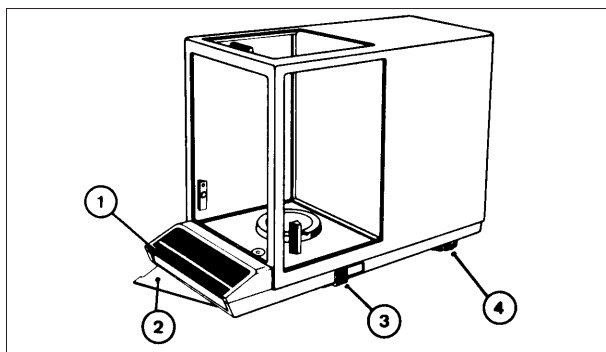
Campo de pesada 0...162 g

Precisión de indicación 0,1 mg

METTLER TOLEDO AE100

Campo de pesada 0...109 g

Precisión de indicación 0,1 mg



Elementos de mando y conexiones

- 1 Tecla de mando
- 2 Instrucciones de manejo resumidas
- 3 Palanca de calibración
- 4 Tornillos niveladores
- 5 Selector de tensión
- 6 Portafusibles
- 7 Toma de la red
- 8 Conexión para tecla de pie/de mano
- 9 Conexión para interfase de datos

<u>INDICE</u>	<u>Página</u>
<u>Preparación</u>	
Comprobación de la tensión, instalación de la balanza	46
<u>Manejo</u>	
Conexión de la balanza, tarado	47
Tecla única automática (organigrama)	48
Calibración	49
Tiempo de integración y control de estabilización	50
Dosificación con DeltaDisplay	51
<u>Otras posibilidades</u>	
Dispositivo para pesar bajo la balanza, mando a distancia	52
<u>Mantenimiento y limpieza</u>	52
<u>Accesorios</u>	53
<u>Fallos y motivos</u>	54
<u>Características técnicas</u>	56

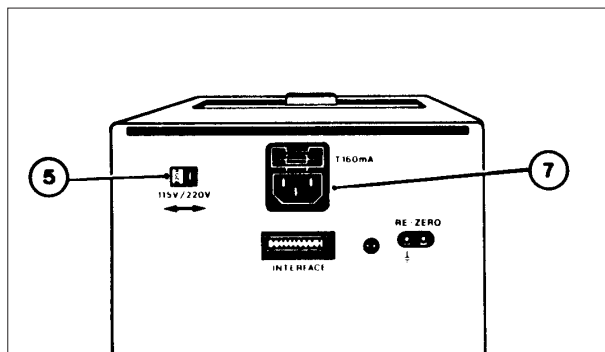
PREPARACION: Forma de comprobar la tensión ajustada y de instalar la balanza

Antes de ponerla en funcionamiento or primera vez, hay que ajustar la balanza a la tensión de alimentación a que va enchufada.

Elija para su balanza un emplazamiento apropiado, con lo que el rendimiento se hará aún mayor.

Monte el platillo.

Nivele la balanza, comprobando más tarde la nivelación periódicamente.



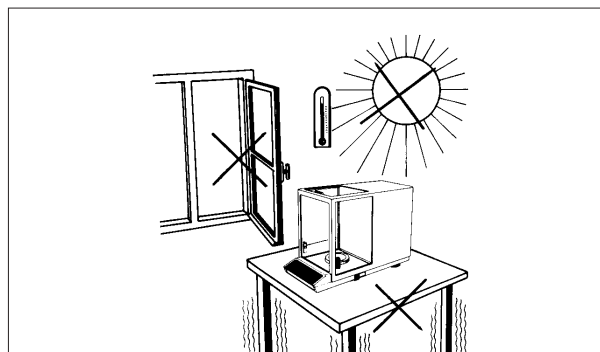
Comproación de la tensión ajustada

Encima de la toma de la red (7) se fija en fábrica una etiqueta que lleva impresa la tensión ajustada.

Si ésta no coincide con la tensión de la red, o falta la etiqueta, hay que comprobar el ajuste del selector de tensión (5) en la trasera y, si es necesario, corregirlo.

Tensión de alimentación permisible en la posición del conmutador:

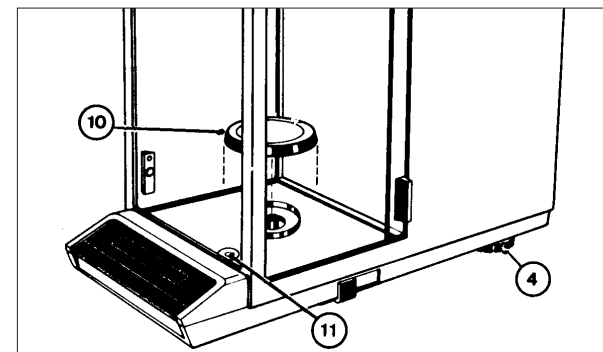
115 V:	92 V...132 V
220 V:	184 V...265 V



Emplazamiento

- Base firme, con las menos vibraciones posibles.
- Sin variaciones excesivas de temperatura.
- Evítese los rayos solares directos y las corrientes de aire.
- Enchufe el cable a la red en el emplazamiento elegido.

Aunque no pueda encontrarse un sitio ideal según los criterios citados, la balanza puede dar buenos resultados. Véase "Tiempo de integración y control de estabilización".



Montaje de platillo, nivelación

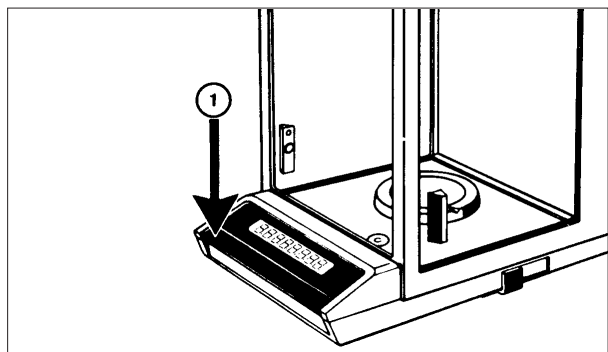
- Coloque el platillo (10): el pivote cónico se centra en el orificio inferior de la cámara de pesada.
- Los dos tornillos niveladores (4) han de ajustarse de forma que la burbuja de aire del nivel (11) se sitúe en el centro de la marca circular.

Cada vez que se cambie de emplazamiento vuelva a nivelar la balanza.

MANEJO: Forma de conectar la balanza y de tarar.

Con la tecla de mando se puede tarar la balanza y conectar y desconectar el indicador. Al desconectar mediante tecla de mando se apaga el indicador; la parte electrónica queda conectada mientras esté enchufado el cable de la red (stand-by).

De esta forma la balanza está lista en cualquier momento para operar, no siendo necesario tiempo de calentamiento.



Conexión y desconexión de la balanza

Conexión:

- Pulse brevemente la tecla de mando (1).
Todos los segmentos del indicador se iluminan durante unos segundos:

88888888

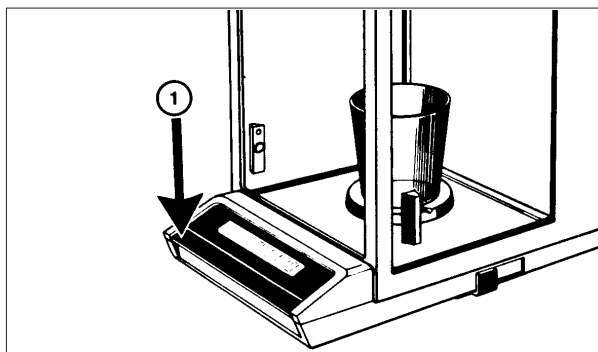
Esto hace posible el control del indicador.

Acto seguido aparece 000000

Desconexión:

- Eleve brevemente tecla de mando.

Si la balanza señala OFF hay que pulsar otra vez brevemente la tecla de mando.

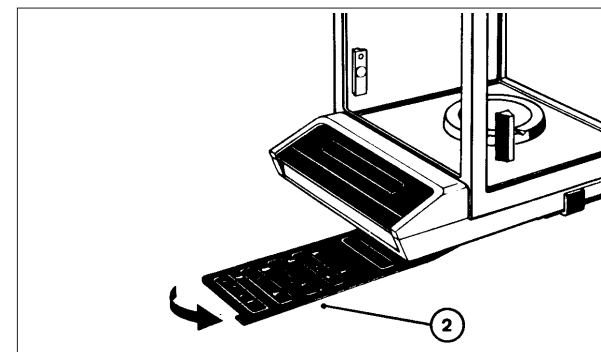


Tarado

- Ponga el recipiente en el platillo. Aparece el peso.
- Pulse brevemente la tecla de mando (1).
Se apaga el indicador y luego aparece 000000

Con ello queda tarado.

Ahora está disponible para la dosificación el campo de pesada elegido menos el peso del recipiente.



Instrucciones de manejo resumidas

Debajo del fondo de la caja van unas instrucciones de manejo resumidas que se sacan girándolas (2).

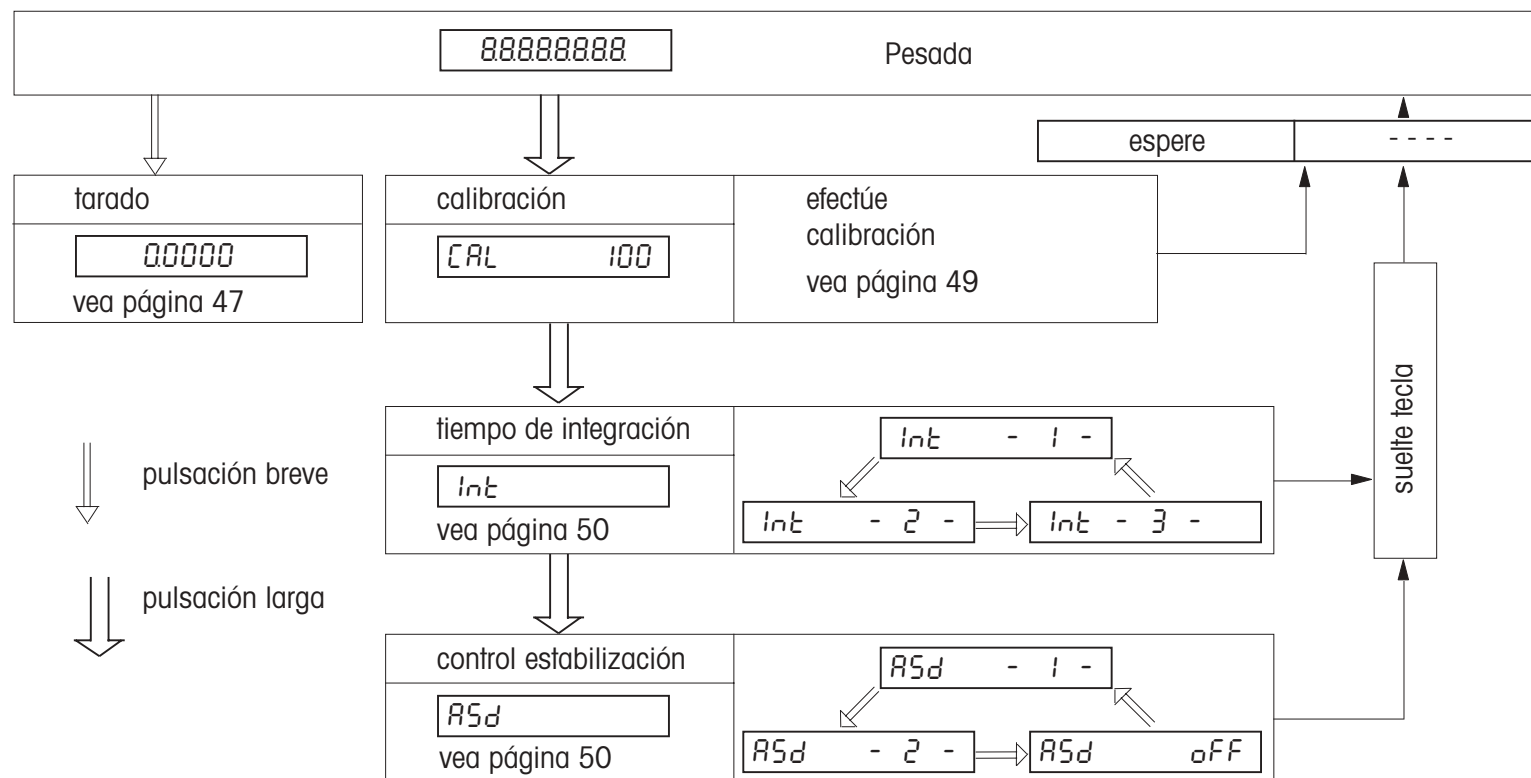
En la página siguiente se presenta un ciclo detallado (ciclo de configuración).

MANEJO: Funcionamiento de la tecla única automática.

Su balanza va provista de una sola tecla de mando. Esta tecla permite conectar y desconectar el indicador, tarar y configurar.

A fin de que la balanza opere bajo las mejores condiciones, ha de ser convenientemente configurada.

Mediante prolongada pulsación de la tecla de mando se inicia el ciclo de configuración: Después de soltar y de volver a pulsar brevemente la tecla puede elegirse entre distintas etapas. (Excepción: calibración)

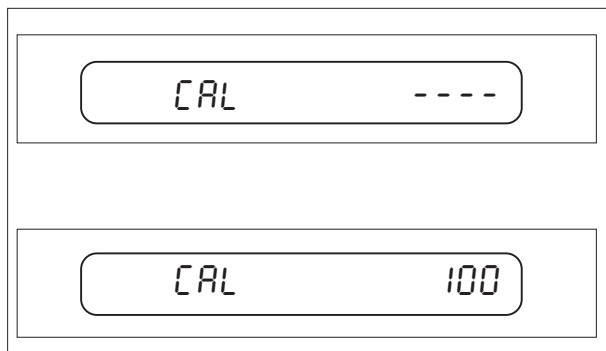


MANEJO: Forma de calibrar

Antes de trabajar por primera vez con la balanza hay que calibrarla.
Calibración quiere decir ajustar la indicación del peso correcta.

La balanza va provista de una pesa de calibración incorporada (especificaciones: véase características técnicas).

Atención: Para conseguir resultados estables, se recomienda enchufar la balanza a la red 60 minutos antes de la calibración.

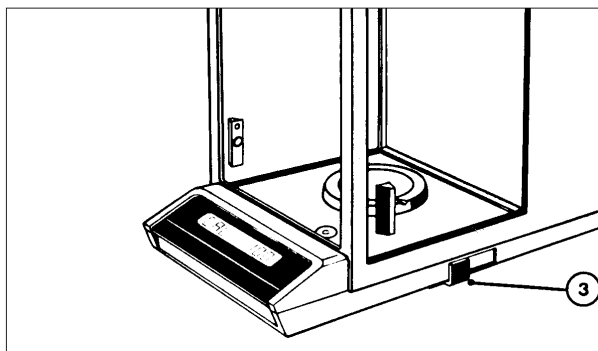


Preparación para la calibración

- Quite la carga que haya en el platillo.
- Cierre ventanillas deslizantes.

Puesta de la balanza en calibración:

- Pulse tecla de mando (1) hasta que aparezca "CAL".
- Suelte tecla de mando; aparece "CAL ----".



Calibración de la balanza

La pesa de calibración se carga con la palanca de calibración (3).

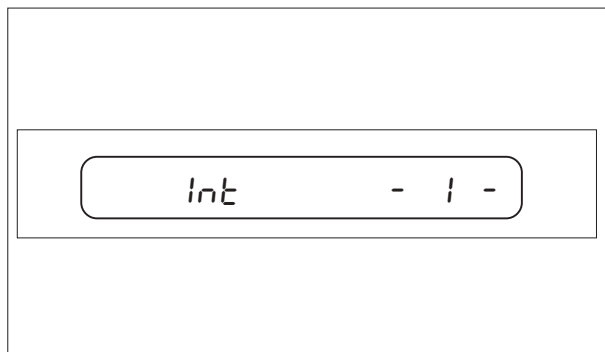
Tan pronto como aparece "CAL 100" (parpadeo), desplace hacia atrás la palanca lentamente. Primero aparece "CAL ----" y luego "100.0000". Cuando el indicador señala "CAL 0" (parpadeo), haga retroceder la palanca. Espere: indicación "----" y luego "0.0000".

MANEJO: Forma de seleccionar el tiempo de integración y el control estabilización

Aunque la balanza AE esté en un puesto de pesada inestable, puede proporcionar resultados correctos. Además, el control de estabilización ASd: (Automatic Stability detection) produce una seguridad adicional de los resultados.

Criterios de ajuste:	Ajuste normal	Alta velocidad de pesada	Alta exactitud de pesada
	Int : posición 2	Int : posición 1	Int : posición 3
	ASd : posición 2	ASd : posición 2	ASd : posición 1

Cuando se cambian tiempo de integración y control de estabilización, se mantiene el resultado de pesada indicado antes.



Tiempo de integración (Int)

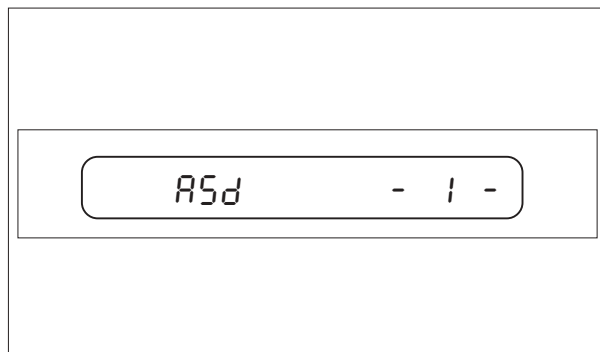
- Pulse tecla de mando (1) hasta que la balanza señale "Int".
- Mediante breve pulsación de la tecla puede elegirse entre las posiciones 1, 2 ó 3.

Posición 1: tiempo más corto

Cuando esté elegida la posición deseada espere hasta que la balanza vuelva al modo de pesada.

Si el ajuste normal es demasiado lento: elija posición 1.

Si el indicador es demasiado inestable: elija posición 3.

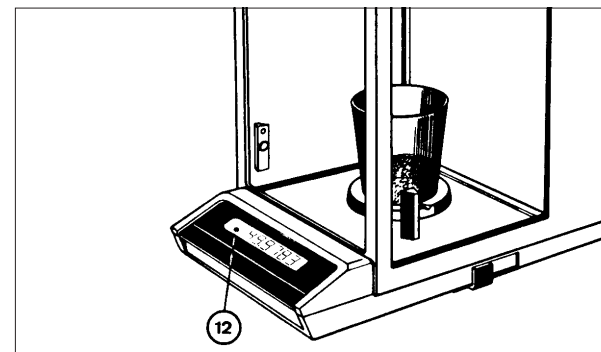


Control de estabilización (ASd)

- Pulse tecla de mando (1) hasta que la balanza señale "ASd".
- Mediante breve pulsación de la tecla, puede cambiarse entre las posiciones 1, 2 u OFF.

Posición 1: máxima sensibilidad

Si no se desea control de estabilización, se puede desconectar (posición "OFF"), con lo que también queda desconectado el DeltaDisplay.



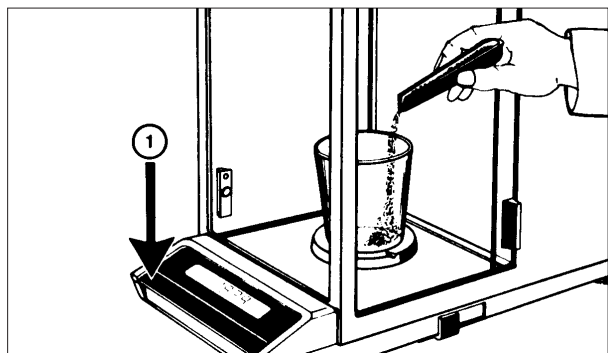
El punto verde (12) a la izquierda del indicador se ilumina cuando la balanza no está en equilibrio.

Al tiempo que se ilumina el punto se bloquea la interfase de datos.

No debe leerse nunca el resultado antes que se haya apagado el control de estabilización.

MANEJO: Forma de dosificar con DeltaDisplay

Las balanzas AE van provistas del DeltaDisplay, un modo de indicación (desconectable) particularmente apropiado para la dosificación. El peso momentáneo se lleva al indicador casi sin demora mediante rápido cambio de cifras. Para mejor orientación, en el caso de cambios rápidos del peso se borran además las dos últimas cifras. En unión del DeltaDisplay se conecta el control de estabilización, que deja libre la interfase sólo cuando la indicación del peso es estable.

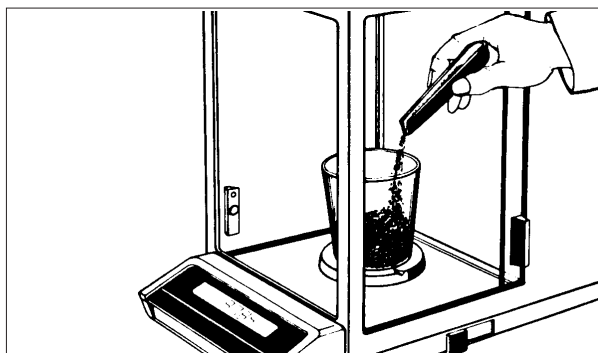


Dosificación

- Ponga el recipiente en el platillo.
- Tare (1): aparece indicación cero.
- Agregue producto hasta el peso teórico deseado.

Si hay que dosificar diferentes productos, uno tras otro, se puede tarar después de cada dosificación y seguir dosificando después desde cero, hasta que recipiente y todos los productos juntos equivalgan al campo de pesada.

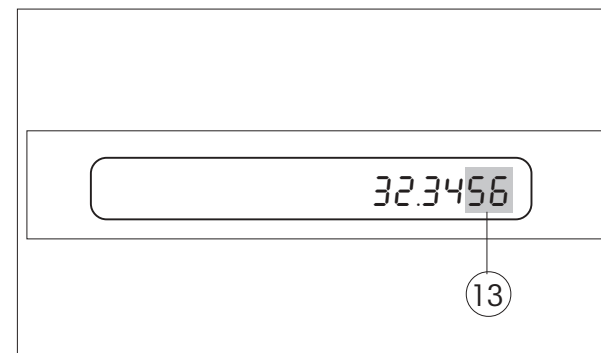
Si se sobrepasa el campo de pesada, se iluminan todos los segmentos superiores: "- - - - -".



DeltaDisplay

Cuando se añade producto rápidamente entra en acción el DeltaDisplay: las 2 últimas cifras (13) después de la coma se apagan y el cambio de cifras se acelera. El aumento del peso puede seguirse así mejor.

El DeltaDisplay está desconectado cuando el control de estabilización (ASd) está configurado en "OFF".



Cuando se dosifica despacio hasta el peso teórico, vuelven a conectarse automáticamente las 2 últimas cifras. El cambio de cifras queda acelerado.

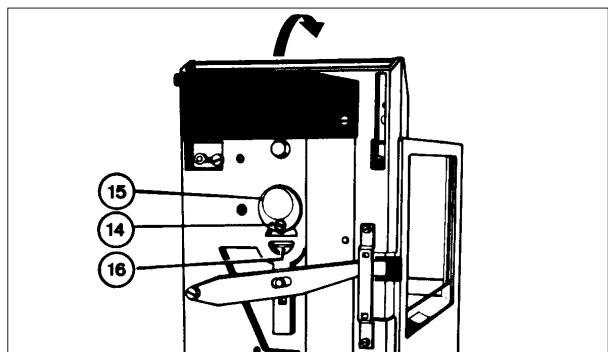
Únicamente cuando las variaciones del peso son muy pequeñas, la balanza retorna al cambio de cifras normal.

De esta forma el resultado de pesada estable aparece con toda su exactitud en el indicador.

OTRAS POSIBILIDADES: Dispositivo para pesar bajo la balanza y mando a distancia.

Con este dispositivo puede pesarse por debajo de la cámara de pesada con soporte especial.

El soporte no lo suministra METTLER TOLEDO y ha de confeccionarlo el cliente.



Dispositivo para pesar bajo la balanza

- Abra todas las ventanillas deslizantes.
- Retire el platillo.
- Tumbé la balanza hacia atrás.
- Afloje algo el tornillo (14) del fondo de la balanza.
- Gire la tapa (15).
- Vuelva a apretar el tornillo (14).

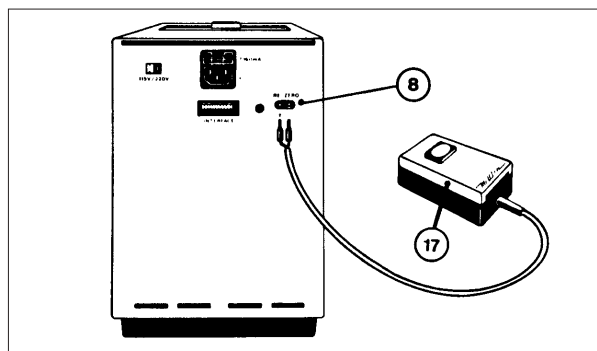
En el orificio aparece el gancho (16), del que se cuelga la carga por medio de soporte.

- Instale la balanza, coloque el platillo y nivele.
- Tare con el soporte suspendido.

El platillo no necesita ser montado mientras el soporte pese, por lo menos, igual que él.

MANTENIMIENTO Y LIMPIEZA

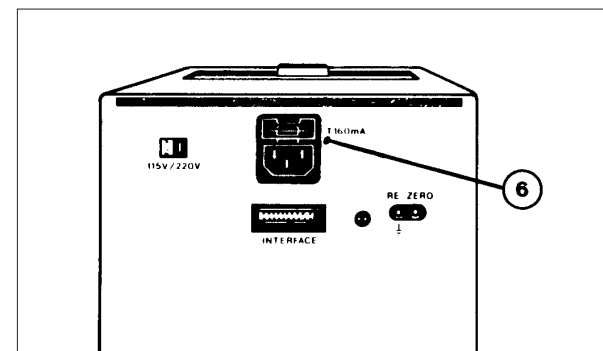
La balanza sólo requiere unos pocos trabajos de mantenimiento y limpieza. Para limpiar platillo y caja basta con trapo y un poco de agua de jabón. No utilice ningún disolvente fuerte. Para quitar restos de la cámara de pesada, se usa el pincel (vea Accesorios). En ningún caso sople.



Mando a distancia

Puede tararse con una tecla de mano o de pie externa (véase accesorios).

- Acople la tecla de mano o la de pie (17) a las hembrillas (8) de la trasera de la balanza.

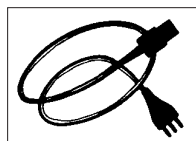


Sustitución del fusible

- Saque el cable de la red.
- Extraiga el portafusibles (6) con un destornillador.
- Cambie el fusible defectuoso (fusible de repuesto en el portafusibles).
- Inserte fusible de repuesto nuevo.
- Vuelva a insertar el portafusibles oprimiéndolo ligeramente adentro.
- Vuelva a enchufar el cable a la red.

ACCESORIOS

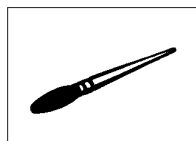
Acompañan a la balanza:



Cable de la red Neutro
Suiza
Alemania
EE.UU.

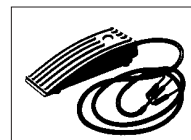
Nº de pedido

87576
87920
87925
88668



Pincel de pelo

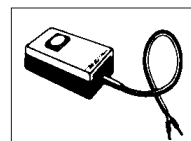
70114



Tecla de pie

Nº de pedido

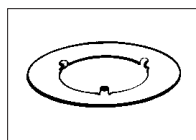
46278



Tecla de mano

42500

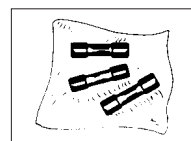
Se entregan a petición:



Arandela centradora
(para corta-aíres)

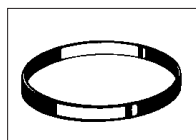
Nº de pedido

38609



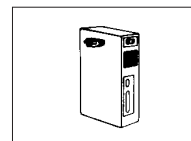
Fusible: 160 mA
(juego de 3 unidades)

55144



Corta-aíres apilable:
1 unidad

38594

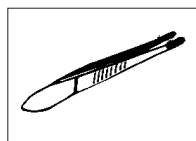


Interfases de datos
Opción 011
(CL/RS232, unidireccional)
Opción 012
(CL/RS232, bidireccional)
Opción 013
(IEEE 488)

38750

38751

38752



Pincel de pelo

70114



Conjunto para determinar
densidades

40290

FALLOS

No se ilumina nada del indicador

Aparece OFF en el indicador

En el indicador sólo se iluminan los segmentos superiores de las cifras

En el indicador sólo se iluminan los segmentos inferiores de las cifras

El resultado de pesada es inestable

Resultado de pesada claramente erróneo

Sólo se ilumina parte del indicador

MOTIVOS

- Balanza sin conectar
- Cable de la red sin enchufar
- No hay tensión en la red
- Algún fallo de corta duración (desconecte y vuelva a conectar o saque el cable de la red y vuelva a meterlo)
- Selector de mal ajustado (ajústelo correctamente según “Comprobación de la tensión, instalación de la balanza”)
- Fusible defectuoso (cámbielo según “MANTENIMIENTO Y LIMPIEZA”), en caso de que se repita acuda al servicio METTLER TOLEDO
- Se ha sacado y vuelto a meter el cable de la red o algún fallo pasajero de tensión (pulse brevemente tecla de mando)
- Sobre pasado el campo de pesada
- Cargada la pesa de calibración (ponga la palanca adelante)
- Al conectar no se ha vaciado el platillo (vacíelo, desconecte y conecte)
- Platillo sin carga (subcarga)
- Al conectar no se ha vaciado el platillo (vacíelo, desconecte y conecte)
- Demasiada corriente de aire (ventanillas deslizantes cerradas?)
- Puesto de pesada inestable
- Tiempo de integración ajustado demasiado corto
- La carga no está a la temperatura ambiente
- No se ha tarado
- Balanza sin calibrar o calibrada con pesa externa incorrecta
- Selector de tensión mal ajustado o caída en la tensión de red
- Algún fallo de corta duración (desconecte y conecte, o saque el cable de la red y vuelva a meterlo)
- DeltaDisplay activo

FALLOS

El indicador está bloqueado en un valor o aparecen caracteres sin sentido

Los segmentos centrales parpadean

Los segmentos centrales no dejan de parpadear (durante más de 30 seg, aproximadamente)

No se apaga el punto verde del control de estabilización

En la calibración sólo se iluminan los segmentos horizontales

Parpadea CAL 100

Parpadea CAL 0

Aparece CAL Err

Aparece no CAL

MOTIVOS

- Selector de tensión mal ajustado
- Caída en la tensión de red
- Balanza en el ciclo de configuración (espere hasta que aparezca 0.0000)
- Puesto de pesada o carga demasiado inestables (cierre ventanillas deslizantes, elija tiempo de integración más largo y/o desconecte control de estabilización)
- Control de estabilización ajustado demasiado sensible (vea “Tiempo de integración y control de estabilización”)
- Emplazamiento de balanza muy poco favorable (corrientes de aire, vibraciones)
- Puesto de pesada demasiado inestable (corrientes de aire, ventanillas deslizantes)
- Palanca de calibración sin accionar o pesa de calibración externa sin cargar
- Palanca de calibración sin retornar o pesa de calibración externa todavía en el platillo
- Platillo sin vaciar antes de la calibración, o se ha utilizado pesa de calibración externa inadecuada (mantenga pulsada la tecla de mando hasta que pase de nuevo al modo de pesada)
- Algún fallo de corta duración (vuelva a calibrar la balanza)

CARACTERISTICAS TECNICAS

	<u>AE160</u>	<u>AE100</u>
Precisión de indicación	0,1 mg	0,1 mg
Campo de pesada	0...162 g	0...109 g
Zona de tarado (sustractiva)	0...162 g	0...109 g
Tiempo de estabilización (típico)	5 s	
Tiempo de integración (configurable: 1/2/3)	1,5/3/6 s	
Reproducibilidad (desviación típica)	0,1 mg	
Linealidad	± 0,2 mg	
Linealidad referida a 10 g	± 0,1 mg	
Temperatura ambiente permisible en servicio	10...40 °C	
Deriva de sensibilidad	± 2·10 ⁻⁶ /°C	
Control de estabilización configurable	2 sensibilidades/Desconectado	
Alimentación eléctrica:		
– Tensión seleccionable	115 V / 220 V	
– Intervalo de tensión permisible	92...132 V / 184...265 V	
– Frecuencia	50...60 Hz	
– Potencia absorbida	unos 10 VA	
Platillo de acero al cromo-níquel	Ø 80 mm	
Cámara de pesada (anchura x fondo x altura)	172 x 155 x 220 mm	
Caja de la balanza (anchura x fondo x altura)	205 x 410 x 290 mm	
Peso neto	10,3 kg	
Pesa de calibración (incorporada)	100 g ± 0,2 mg,	compensada a densidad del aire 1200 mg/l a masa aparente con densidad 8,0 g/cm ³

To protect your METTLER TOLEDO product's future:

METTLER TOLEDO Service assures the quality, measuring accuracy and preservation of value of all METTLER TOLEDO products for years to come.

Please send for full details about our attractive terms of service.

Thank you.

Für eine gute Zukunft Ihres METTLER TOLEDO-Produktes:

METTLER TOLEDO Service sichert Ihnen auf Jahre Qualität, Messgenauigkeit und Werterhaltung der METTLER TOLEDO-Produkte.

Verlangen Sie bitte genaue Unterlagen über unser attraktives Service-Angebot.

Vielen Dank.

Pour assurer l'avenir de vos produits METTLER TOLEDO:

Le service après-vente METTLER TOLEDO vous garantit pendant des années leur qualité, leur précision de mesure et le maintien de leur valeur.

Demandez-nous notre documentation sur les excellentes prestations proposées par le service après-vente METTLER TOLEDO.

Merci.

Para un mejor futuro de sus productos METTLER TOLEDO:

El servicio postventa de METTLER TOLEDO garantiza durante años su calidad, su precisión metrológica y la conservación de su valor.

Pida nuestra documentación sobre las excelentes prestaciones que le ofrece el servicio postventa de METTLER TOLEDO.

Gracias.



P701197

Technische Änderungen und Änderungen im Lieferumfang des Zubehörs vorbehalten.
Gedruckt auf 100% chlorfrei hergestelltem Papier. Unserer Umwelt zuliebe.
Subject to technical changes and to the availability of the accessories supplied with the instruments.

Printed on recycled paper. Because we care

Sous réserve des modifications techniques et de disponibilité des accessoires.

Imprimé sur papier 100 % exempt de chlore, par souci d'écologie.

Reservadas las modificaciones técnicas y la disponibilidad de los accesorios.
Impreso sobre papel fabricado sin cloro al 100 %, por nuestro medio ambiente

© Mettler-Toledo GmbH 2001 701197 Printed in Switzerland 0109/2.33

Mettler-Toledo GmbH, Laboratory & Weighing Technologies, CH-8606 Greifensee, Switzerland

Phone +41-1-944 22 11, Fax +41-1-944 30 60, Internet: <http://www.mt.com>