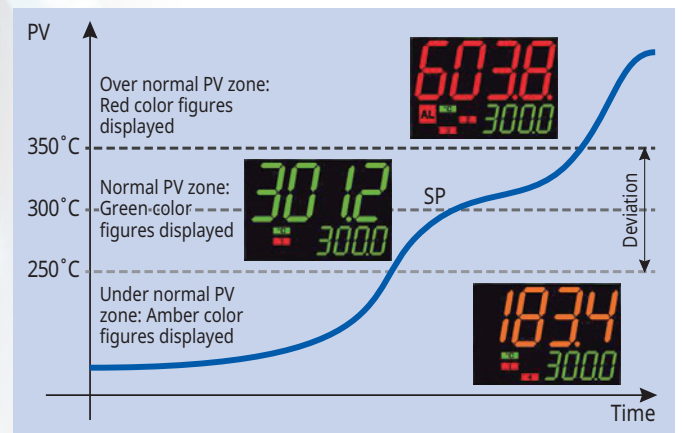


Small Cubic Controller

The TC10 is a compact single loop temperature controller with easy-to-read 3 dynamic colors led display. The short depth of the controller helps to save instrument panel space. The TC10 supports easy configuration with codes for quick start-up.



- **Compact size**
- **Universal Input**
- **3 colors active display**
- **Serial Communication***

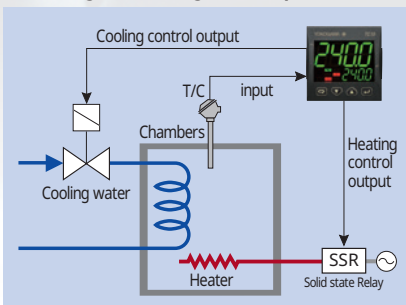


*: Option

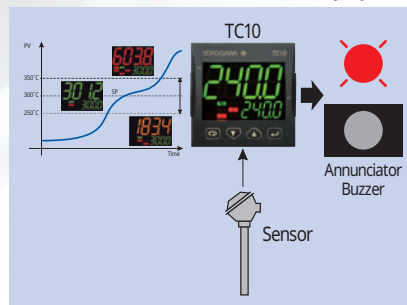


Application

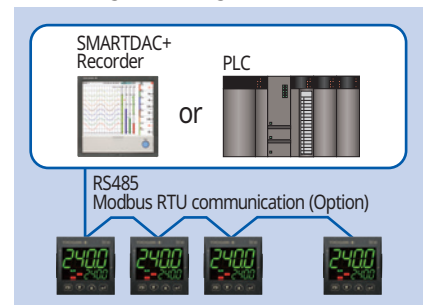
Heating and cooling (two outputs model)



Alarm detection with active display



Monitoring and setting from external device



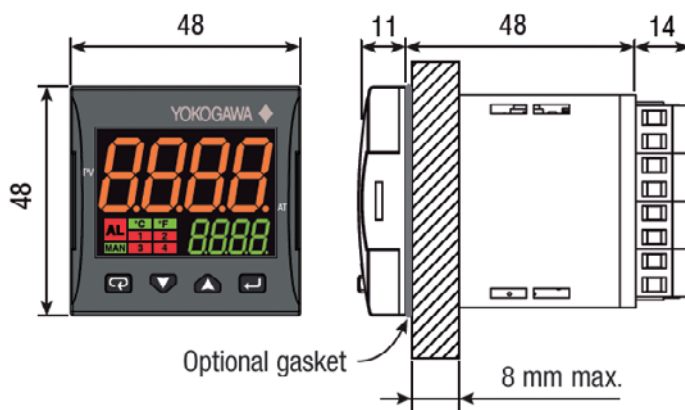


■ Specification Table

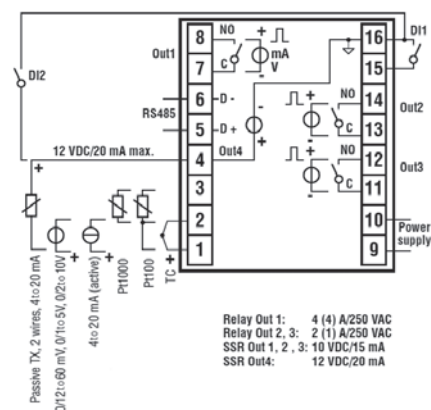
	TC10
PV/SP Data display	4 digits 3 colors active display
PV Input	1 Universal (TC, mV, V, mA, Pt100-Pt1000)
Accuracy	±0.5% of span ±1 digit
Display updating time	500 ms
Number of Set points (SP)	4
Control type	ON/OFF, PID, Heat/Cool control
Tuning	Auto-tuning, Self-tuning, Overshoot control
Control Output	Relay, Voltage Pulse or Analog
Control Output for Cooling output	Relay or Voltage Pulse
Contact Input/Output	1 logic input, and 1 selectable I/O

	TC10
Alarm	9 Types
Communication	RS-485 Protocol: Modbus RTU
Power supply	24 VAC/DC (Custom order), 100 to 240 VAC Power consumption: 4.5 VA max. (24 VAC/DC) 6.0 VA max. (100 to 240 VAC)
Regulatory Compliance	CE, cULus
Front panel protection	IP65 (Optional)
Size	48 × 48, depth 62 mm, (1.77 × 1.77 × 2.97 in.)
Ambient Temperature, R.H.	Operating temperature: 0 to 50 °C (32 to 122 °F) Operating humidity: 20 to 90% RH (no condensation)

■ External Dimensions and Panel Cutout Dimensions



■ Terminal Arrangement



■ Model and Suffix Code

Model Code	Suffix codes	Description
TC10	-N □ C □ □ □ D □ F □	Temperature Controller with an universal input, one logic input, and one selectable I/O
Fixed code	-N	Always "-N"
Power supply	L	24 VAC/DC (Custom order)
	H	100 to 240 VAC
Fixed code	C	Always "C"
OUT1-3	R N N	Relay output for On/Off control
	R R R	Relay output with two alarm relays, or On/Off Heat/Cool control with one alarm
	V N N	DCV output for SSR
	V R R	DCV output for SSR with two alarm relays, or DCV and Relay output for Heat/Cool control with one alarm
	V V R	Two DCV outputs for SSR with one relay (Custom order)
	A R R	Analog output with two alarm relays, or Analog output and Relay output for Heat/Cool control with one alarm
IN/OUT4 (Fixed code)	D	Always "D" Selectable I/O (logic input / 12 V SSR drive output / 12 VDC 20 mA transmitter power supply)
Serial communication	S	RS485 Modbus
	N	None
Fixed code	F	Always "F"
Option code	/GK	Panel gasket for IP65

YOKOGAWA ELECTRIC CORPORATION

Control Instruments Business Division
E-mail: ns@cs.jp.yokogawa.com

<http://www.yokogawa.com/>

YOKOGAWA CORPORATION OF AMERICA
YOKOGAWA EUROPE B.V.
YOKOGAWA ENGINEERING ASIA PTE. LTD.

<http://www.yokogawa.com/us/>
<http://www.yokogawa.com/eu/>
<http://www.yokogawa.com/sg/>

Sign up for our free e-mail newsletter
www.yokogawa.com/ns/

Subject to change without notice.
All Rights Reserved. Copyright© 2016, Yokogawa Electric Corporation

KP-S-1E

Printed in Japan, 705(KP)
[Ed : 02/b]